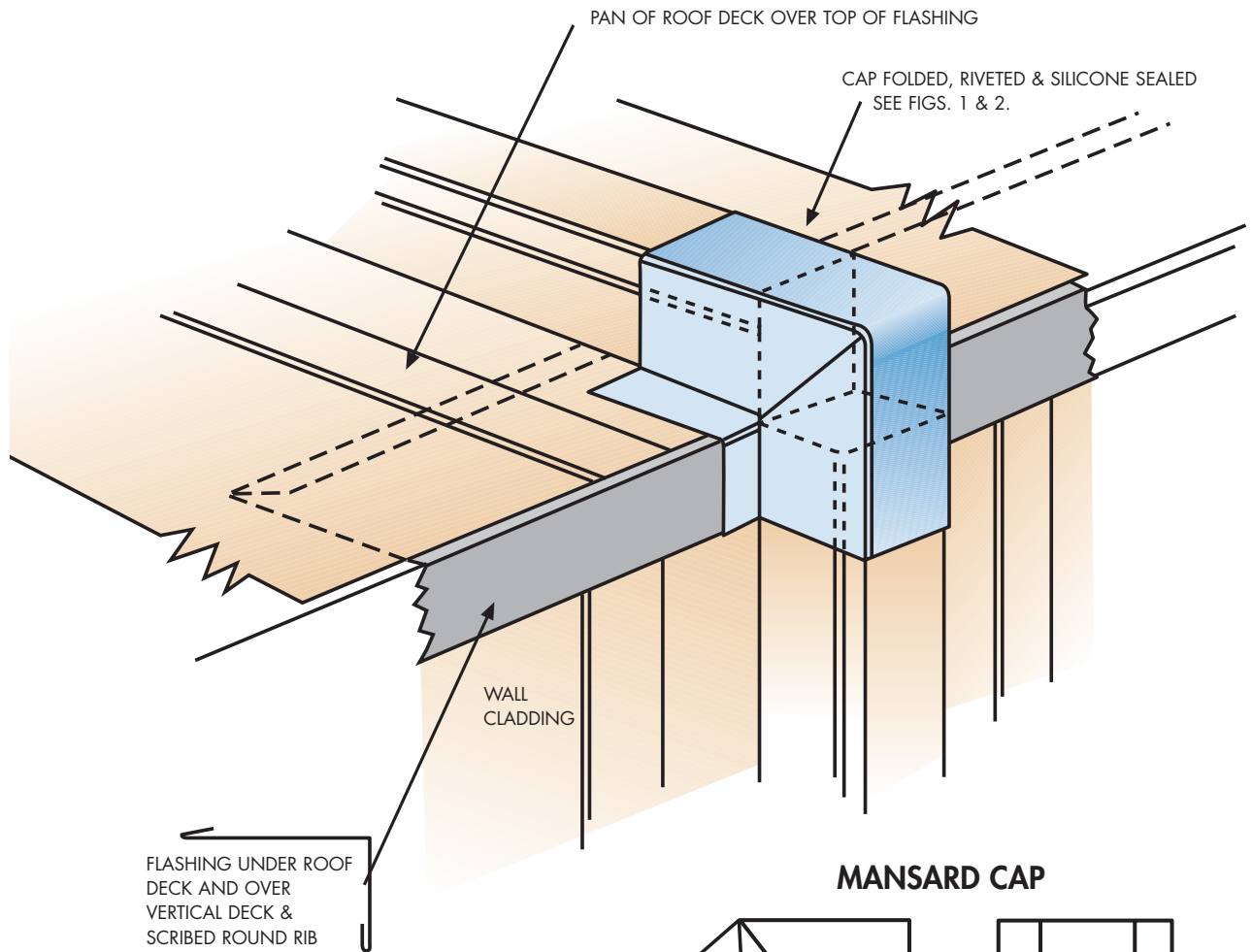


Generic Mansard Cap Detail



MANSARD CAP

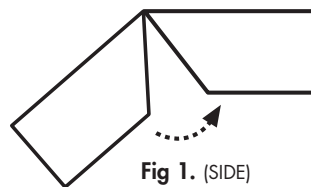


Fig 1. (SIDE)

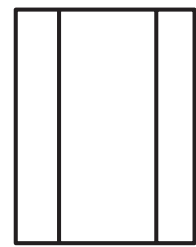


Fig 2. (PLAN)

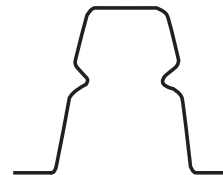


Fig 3. (FRONT)
{Profile Typical Only}

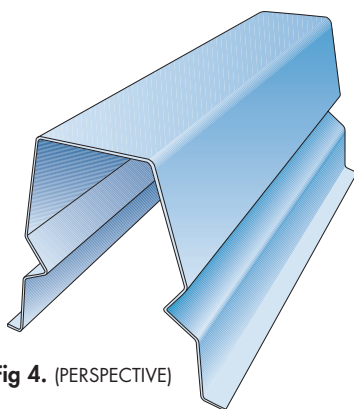


Fig 4. (PERSPECTIVE)

Please check with Fielders that you have the current Fielders Fact File for this topic.

Care has been taken to ensure that the design information herein is accurate, but Fielders Australia Pty Ltd and its agents do not accept responsibility for errors due to misinterpretation of the input data or of output information by the user. Design advice is provided as a recommendation only and is not a substitute for professional judgement.

Damages for breach of any warranty conditions shall not extend to any consequential damages.

The information contained in this design advice remains the property of Fielders Australia and is submitted in strict confidence for the sole purpose of facilitating the exclusive specification and use of Fielders products. The information contained within this advice is based on testing conducted by and exclusive to Fielders profiles and cannot be assumed to apply to alternative products. Distribution of this and associated documents, is restricted to the following parties unless otherwise authorised by Fielders Australia

For more information contact Fielders on Freecall: 1800 182 255

Email: info@fielders.com.au • Web: www.fielders.com.au

Adelaide • Melbourne • Sydney • Perth • Brisbane • Darwin

JUNE 2009



FINISH ON TOP WITH FIELDERS