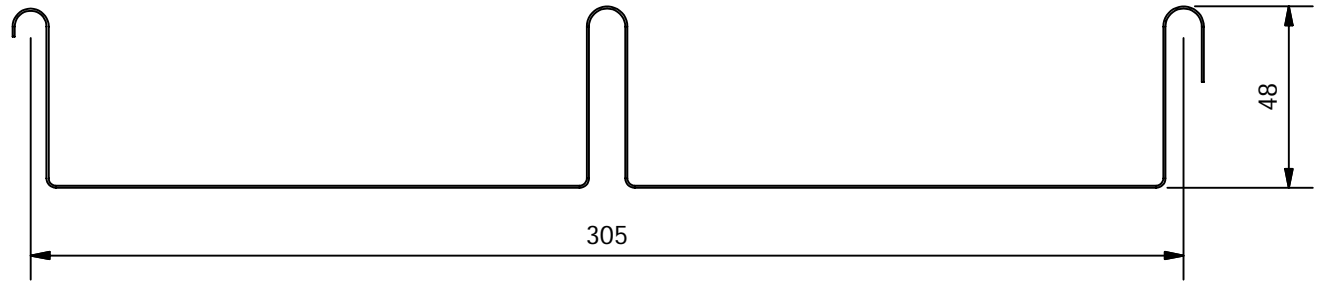
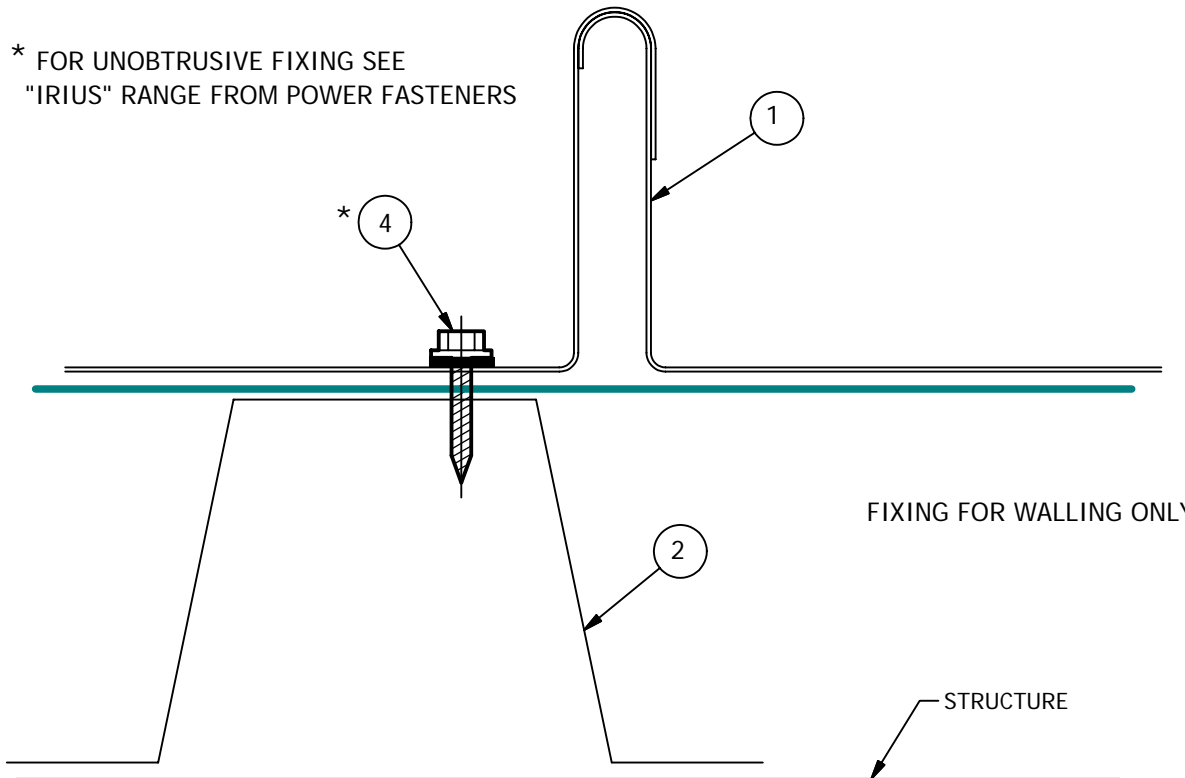


# PROFILE AND LAP



SHADOWLINE PROFILE

\* FOR UNOBTRUSIVE FIXING SEE "IRIUS" RANGE FROM POWER FASTENERS



ITEM	PART NAME
1	SHADOWLINE PANEL
2	TOPHAT SECTION
3	RIVET
4	TEK SCREW
5	WINDOW HEAD FLASHING
6	WINDOW SILL FLASHING
7	WINDOW JAMB FLASHING
8	INTERIOR CORNER MOULDING
9	EXTERIOR CORNER MOULDING
10	FOOT MOULD
11	NEOPRENE WASHER
12	PARAPET CAP

Ph: (08) 8292 3611

Fax: (08) 8292 3626



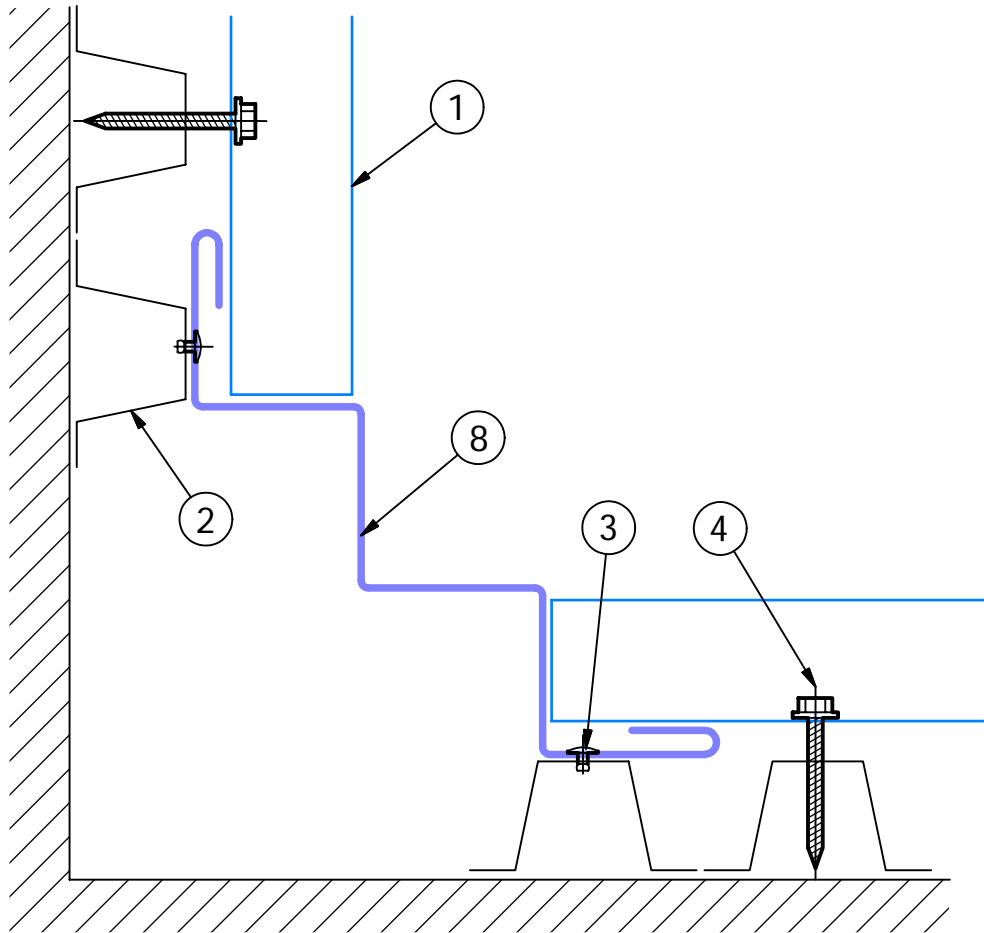
FIELDERS AUSTRALIA PTY LTD  
15 Railway Tce, Mile End South, SA 5031

### COPYRIGHT

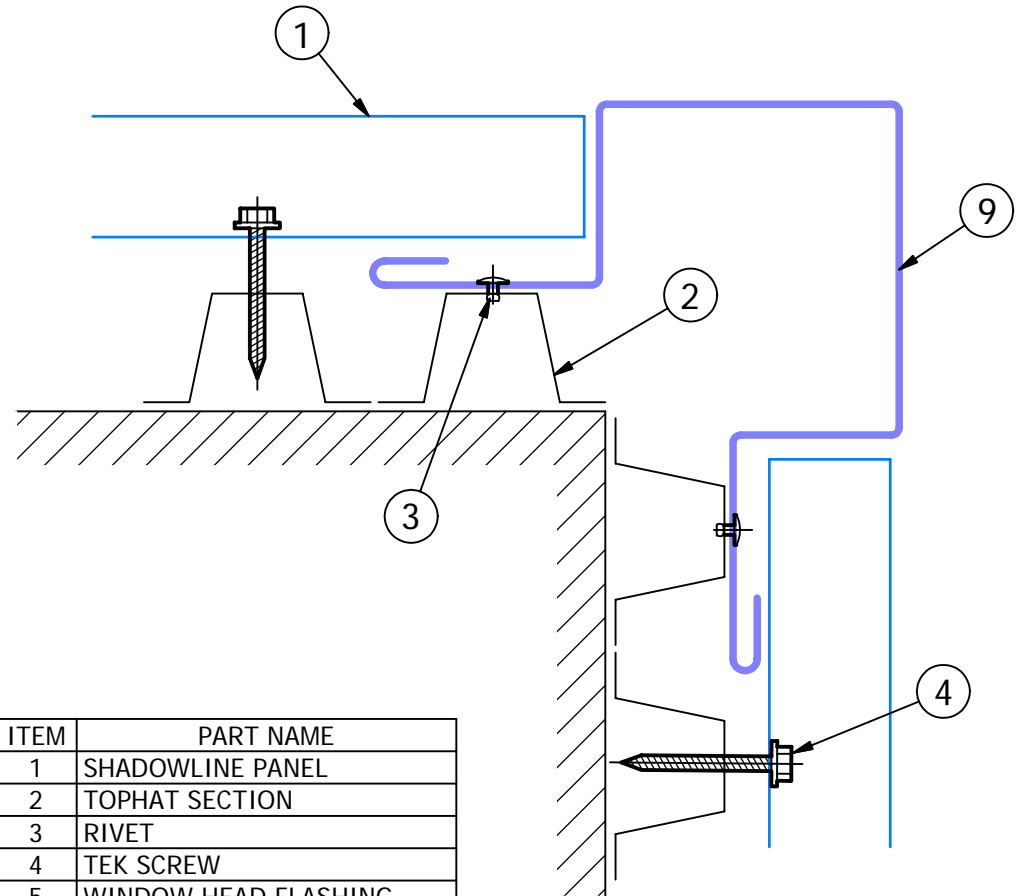
This drawing is the property of  
**FIELDERS AUSTRALIA PTY LTD**  
It is a confidential document and  
must not be copied, reproduced, used  
or its contents divulged without  
prior written consent

	NAME	SIGNED	DATE	TITLE:
DESIGNED				<b>SHADOWLINE WALLING INSTALLATION DETAILS</b>
DRAWN	CPS- BB		24AUG11	
CHECKED				SCALE AT A4
APPROVED				DRAWING NUMBER
IMAGE No:	FILE No:			READ WITH
REF. FILE No:	CAD FILE No:			<b>ROF11006</b>
PATH:				Cadsys: Inventor 11
				SHEET 1 OF 7 SHEETS

# INTERNAL AND EXTERNAL CORNERS HORIZONTAL CLADDING



INTERIOR CORNER  
HORIZONTAL RIBS



EXTERIOR CORNER  
HORIZONTAL RIBS

ITEM	PART NAME
1	SHADOWLINE PANEL
2	TOPHAT SECTION
3	RIVET
4	TEK SCREW
5	WINDOW HEAD FLASHING
6	WINDOW SILL FLASHING
7	WINDOW JAMB FLASHING
8	INTERIOR CORNER MOULDING
9	EXTERIOR CORNER MOULDING
10	FOOT MOULD
11	NEOPRENE WASHER
12	PARAPET CAP

Ph: (08) 8292 3611

Fax: (08) 8292 3626



FIELDERS AUSTRALIA PTY LTD  
15 Railway Tce, Mile End South, SA 5031

### COPYRIGHT

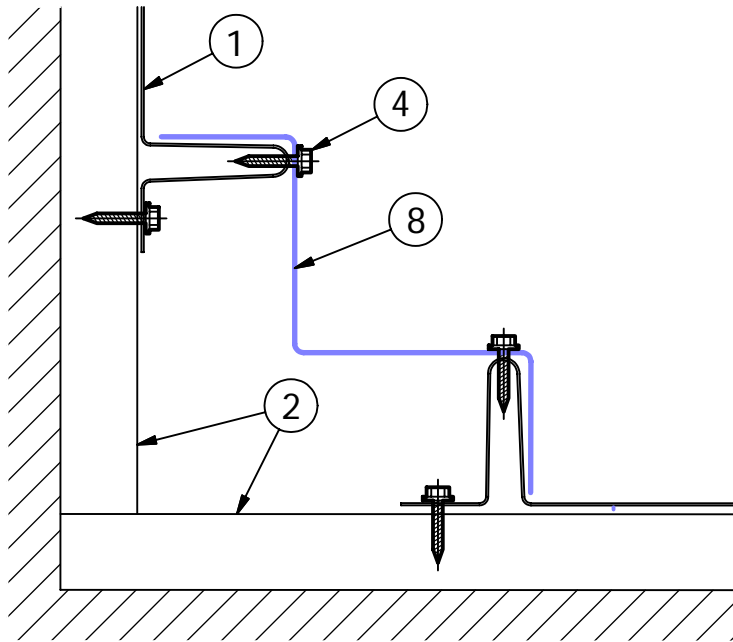
This drawing is the property of  
**FIELDERS AUSTRALIA PTY LTD**  
It is a confidential document and  
must not be copied, reproduced, used  
or its contents divulged without  
prior written consent

	NAME	SIGNED	DATE
DESIGNED			
DRAWN	CPS- BB		24AUG11
CHECKED			
APPROVED			
IMAGE No:	FILE No:		
REF. FILE No:	CAD FILE No:		
PATH:			

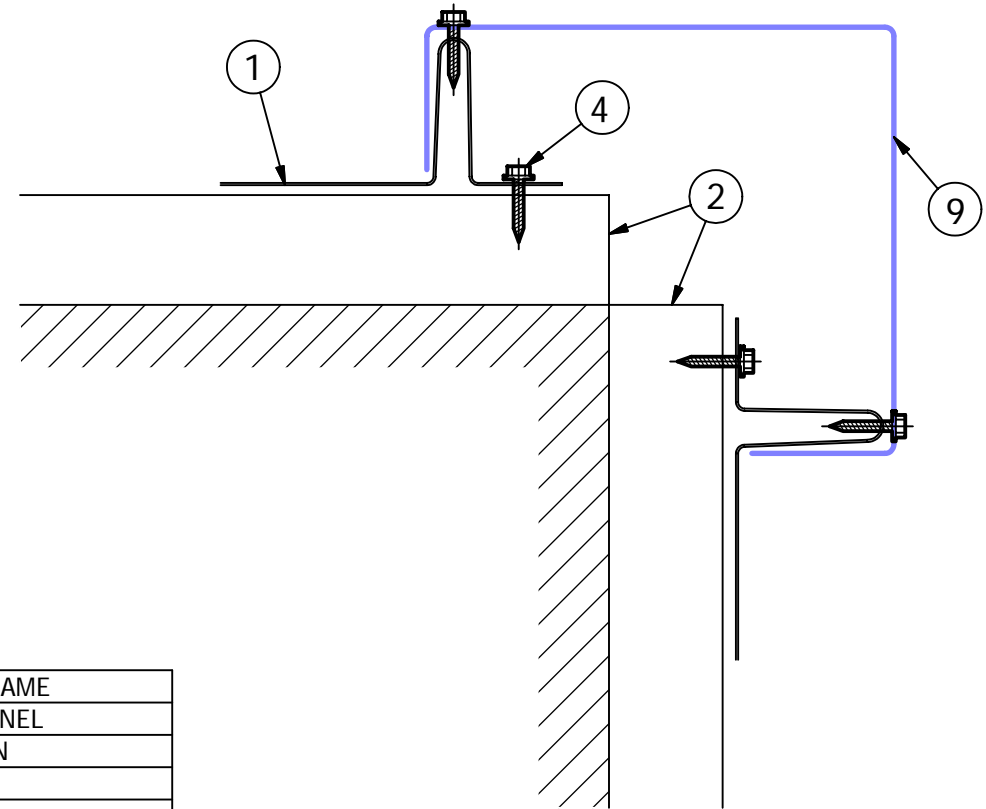
TITLE:  
**SHADOWLINE WALLING  
INSTALLATION DETAILS**

SCALE	AT A4	DRAWING NUMBER	READ WITH
NTS		<b>ROF11006</b>	
Cadsys: Inventor 11		SHEET 2 OF 7	SHEETS

# INTERNAL AND EXTERNAL CORNER VERTICAL CLADDING



INTERIOR CORNER  
VERTICAL RIBS



EXTERIOR CORNER  
VERTICAL RIBS

ITEM	PART NAME
1	SHADOWLINE PANEL
2	TOPHAT SECTION
3	RIVET
4	TEK SCREW
5	WINDOW HEAD FLASHING
6	WINDOW SILL FLASHING
7	WINDOW JAMB FLASHING
8	INTERIOR CORNER MOULDING
9	EXTERIOR CORNER MOULDING
10	FOOT MOULD
11	NEOPRENE WASHER
12	PARAPET CAP

Ph: (08) 8292 3611

Fax: (08) 8292 3626



FIELDERS AUSTRALIA PTY LTD  
15 Railway Tce, Mile End South, SA 5031

### COPYRIGHT

This drawing is the property of  
**FIELDERS AUSTRALIA PTY LTD**  
It is a confidential document and  
must not be copied, reproduced, used  
or its contents divulged without  
prior written consent

	NAME	SIGNED	DATE
DESIGNED			
DRAWN	CPS- BB		24AUG11
CHECKED			
APPROVED			
IMAGE No:	FILE No:		
REF. FILE No:	CAD FILE No:		
PATH:			

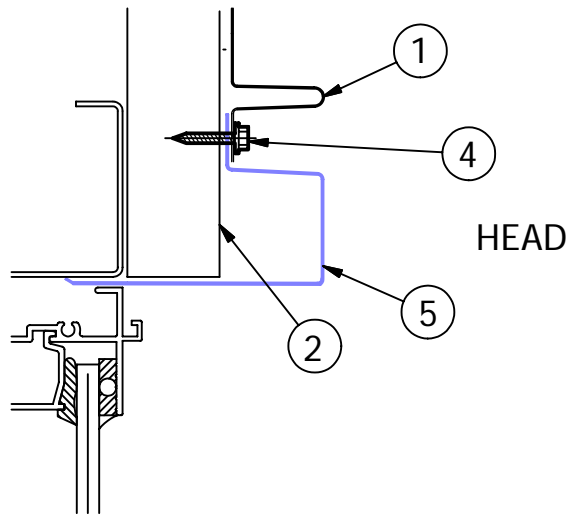
TITLE:

**SHADOWLINE WALLING  
INSTALLATION DETAILS**

SCALE	AT A4	DRAWING NUMBER	READ WITH
NTS		<b>ROF11006</b>	
Cadsys: Inventor 11		SHEET 3 OF 7	SHEETS

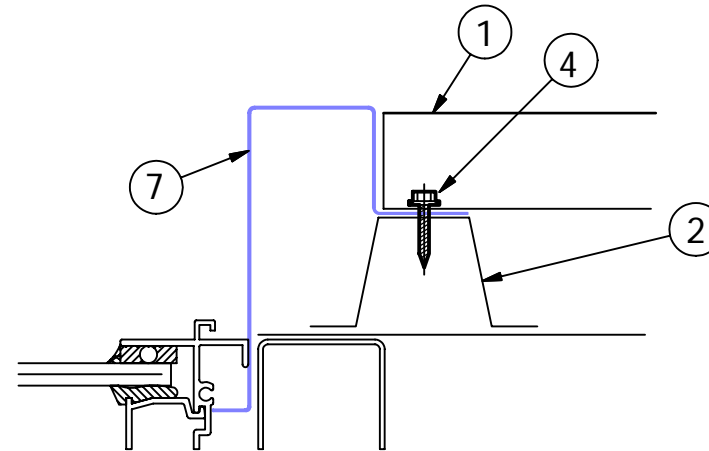
# WINDOW DETAILS

## HORIZONTAL RIB

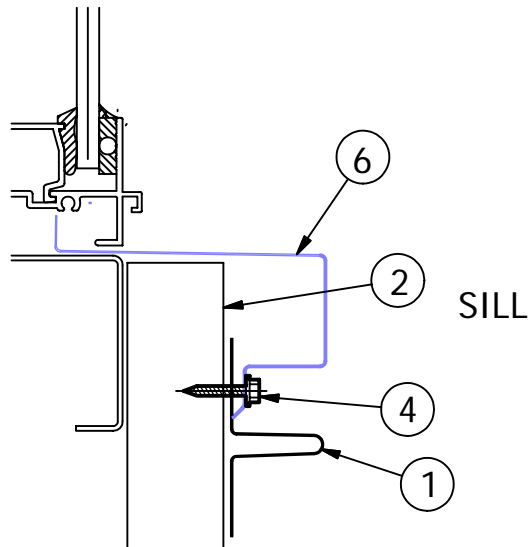


HEAD

HEAD AND SILL FLASHINGS  
TO BE TURNED UP AND DOWN  
BEHIND JAMB FLASHING



JAMB



SILL

ITEM	PART NAME
1	SHADOWLINE PANEL
2	TOPHAT SECTION
3	RIVET
4	TEK SCREW
5	WINDOW HEAD FLASHING
6	WINDOW SILL FLASHING
7	WINDOW JAMB FLASHING
8	INTERIOR CORNER MOULDING
9	EXTERIOR CORNER MOULDING
10	FOOT MOULD
11	NEOPRENE WASHER
12	PARAPET CAP

Ph: (08) 8292 3611

Fax: (08) 8292 3626



FIELDERS AUSTRALIA PTY LTD  
15 Railway Tce, Mile End South, SA 5031

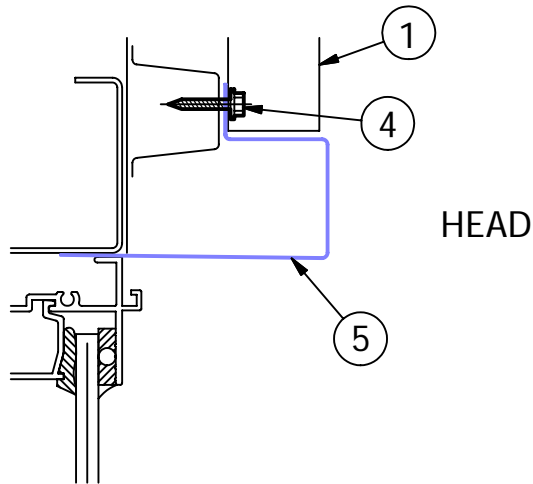
### COPYRIGHT

This drawing is the property of  
**FIELDERS AUSTRALIA PTY LTD**  
It is a confidential document and  
must not be copied, reproduced, used  
or its contents divulged without  
prior written consent

	NAME	SIGNED	DATE	TITLE:
DESIGNED				<b>SHADOWLINE WALLING INSTALLATION DETAILS</b>
DRAWN	CPS- BB		25AUG11	
CHECKED				SCALE AT A4
APPROVED				NTS
IMAGE No:	FILE No:			DRAWING NUMBER
REF. FILE No:	CAD FILE No:			<b>ROF11006</b>
PATH:				READ WITH
				<b>SHEET 4 OF 7 SHEETS</b>

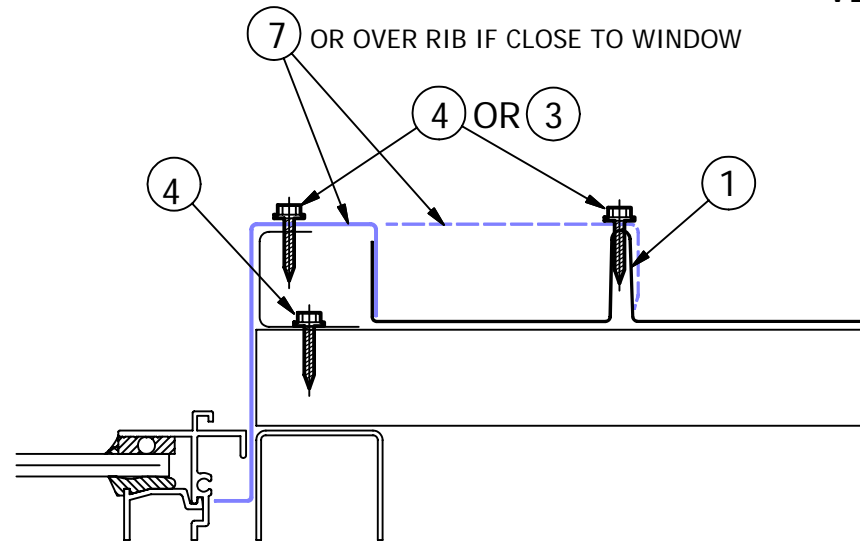
# WINDOW DETAILS

## VERTICAL RIB

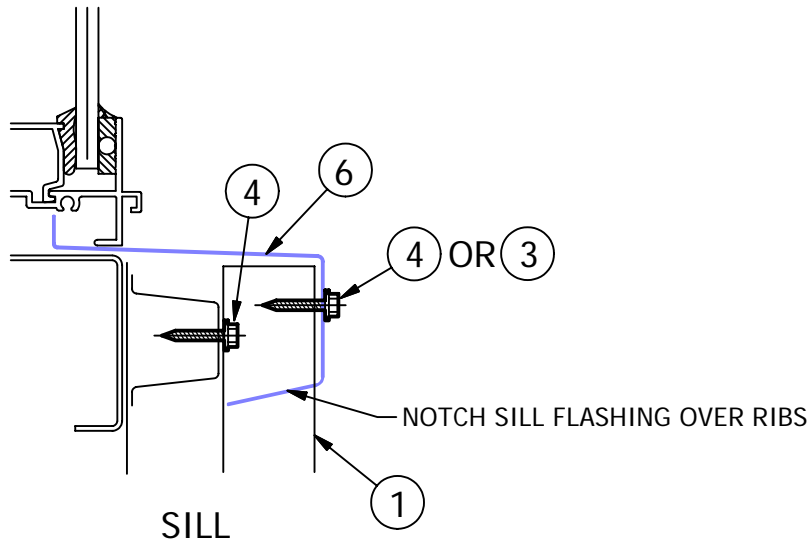


HEAD

HEAD AND SILL FLASHINGS  
TO BE TURNED UP AND DOWN  
BEHIND JAMB FLASHING



JAMB



SILL

NOTCH SILL FLASHING OVER RIBS

ITEM	PART NAME
1	SHADOWLINE PANEL
2	TOPHAT SECTION
3	RIVET
4	TEK SCREW
5	WINDOW HEAD FLASHING
6	WINDOW SILL FLASHING
7	WINDOW JAMB FLASHING
8	INTERIOR CORNER MOULDING
9	EXTERIOR CORNER MOULDING
10	FOOT MOULD
11	NEOPRENE WASHER
12	PARAPET CAP

Ph: (08) 8292 3611

Fax: (08) 8292 3626



FIELDERS AUSTRALIA PTY LTD  
15 Railway Tce, Mile End South, SA 5031

### COPYRIGHT

This drawing is the property of  
FIELDERS AUSTRALIA PTY LTD

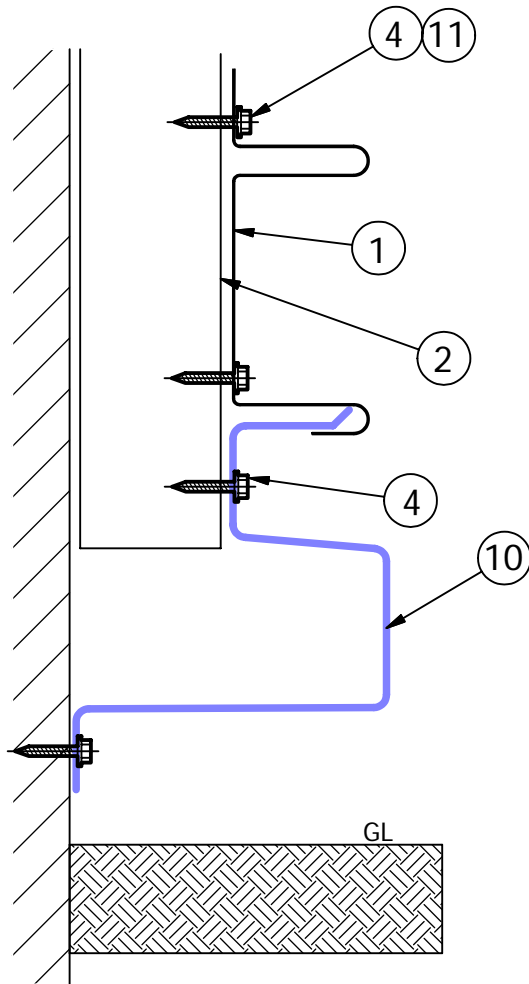
It is a confidential document and  
must not be copied, reproduced, used  
or its contents divulged without  
prior written consent

	NAME	SIGNED	DATE
DESIGNED			
DRAWN	CPS- BB		25AUG11
CHECKED			
APPROVED			
IMAGE No:	FILE No:		
REF. FILE No:	CAD FILE No:		
PATH:			

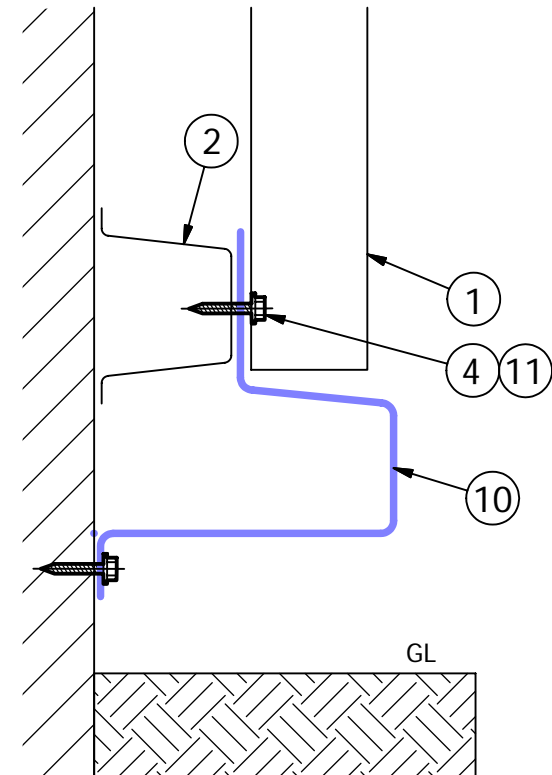
TITLE:  
**SHADOWLINE WALLING  
INSTALLATION DETAILS**

SCALE	AT A4	DRAWING NUMBER	READ WITH
NTS		<b>ROF11006</b>	
Cadsys: Inventor 11		SHEET 5 OF 7	SHEETS

# FOOT MOULD DETAILS



HORIZONTAL PANELS



VERTICAL PANELS

ITEM	PART NAME
1	SHADOWLINE PANEL
2	TOPHAT SECTION
3	RIVET
4	TEK SCREW
5	WINDOW HEAD FLASHING
6	WINDOW SILL FLASHING
7	WINDOW JAMB FLASHING
8	INTERIOR CORNER MOULDING
9	EXTERIOR CORNER MOULDING
10	FOOT MOULD
11	NEOPRENE WASHER
12	PARAPET CAP

Ph: (08) 8292 3611

Fax: (08) 8292 3626



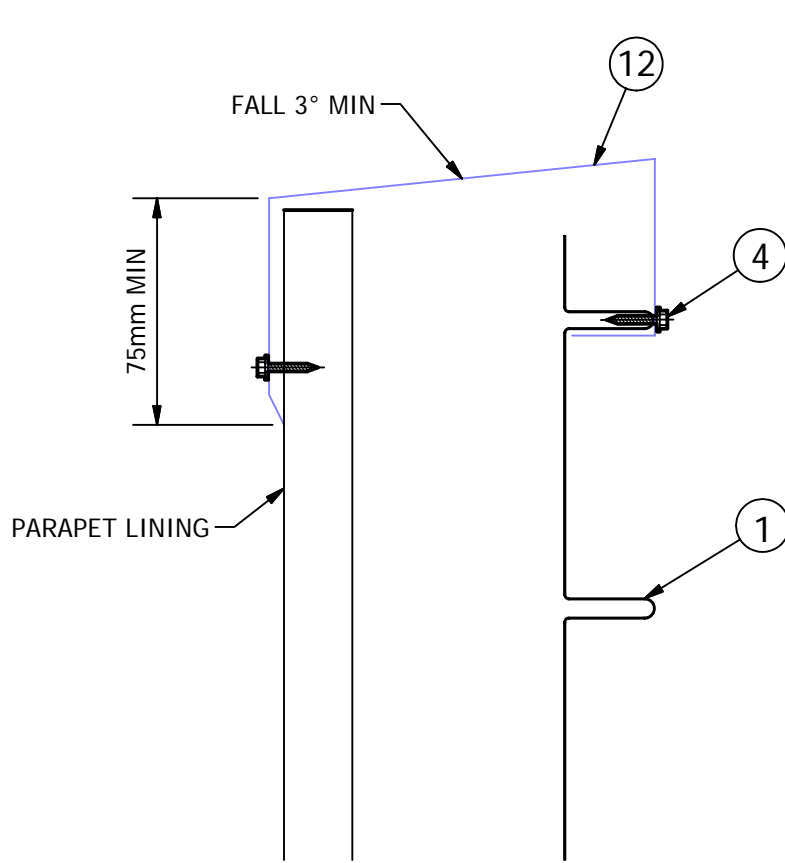
FIELDERS AUSTRALIA PTY LTD  
15 Railway Tce, Mile End South, SA 5031

### COPYRIGHT

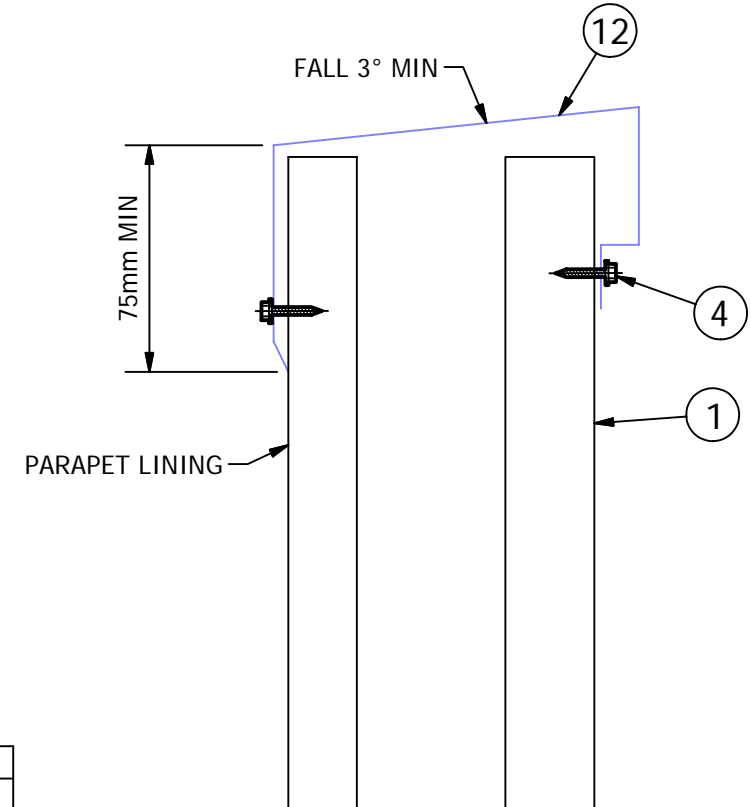
This drawing is the property of  
**FIELDERS AUSTRALIA PTY LTD**  
It is a confidential document and  
must not be copied, reproduced, used  
or its contents divulged without  
prior written consent

	NAME	SIGNED	DATE	TITLE:
DESIGNED				<b>SHADOWLINE WALLING INSTALLATION DETAILS</b>
DRAWN	CPS- BB		25AUG11	
CHECKED				SCALE AT A4
APPROVED				NTS
IMAGE No:	FILE No:			DRAWING NUMBER
REF. FILE No:	CAD FILE No:			<b>ROF11006</b>
PATH:				READ WITH
				SHEET 6 OF 7 SHEETS

# FACADE & PARAPET DETAILS



PARAPET CAP  
HORIZONTAL PANELS



PARAPET CAP  
VERTICAL PANELS

ITEM	PART NAME
1	SHADOWLINE PANEL
2	TOPHAT SECTION
3	RIVET
4	TEK SCREW
5	WINDOW HEAD FLASHING
6	WINDOW SILL FLASHING
7	WINDOW JAMB FLASHING
8	INTERIOR CORNER MOULDING
9	EXTERIOR CORNER MOULDING
10	FOOT MOULD
11	NEOPRENE WASHER
12	PARAPET CAP

Ph: (08) 8292 3611

Fax: (08) 8292 3626



FIELDERS AUSTRALIA PTY LTD  
15 Railway Tce, Mile End South, SA 5031

### COPYRIGHT

This drawing is the property of  
**FIELDERS AUSTRALIA PTY LTD**  
It is a confidential document and  
must not be copied, reproduced, used  
or its contents divulged without  
prior written consent

	NAME	SIGNED	DATE
DESIGNED			
DRAWN	CPS- BB		5SEP11
CHECKED			
APPROVED			
IMAGE No:	FILE No:		
REF. FILE No:	CAD FILE No:		
PATH:			

TITLE:			
<b>SHADOWLINE WALLING INSTALLATION DETAILS</b>			
SCALE	AT A4	DRAWING NUMBER	READ WITH
NTS		<b>ROF11006</b>	
Cadsys: Inventor 11		SHEET 7 OF 7	SHEETS