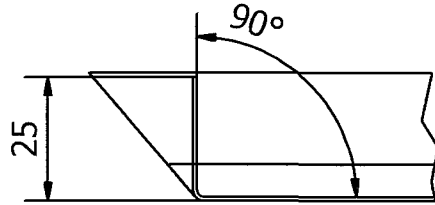
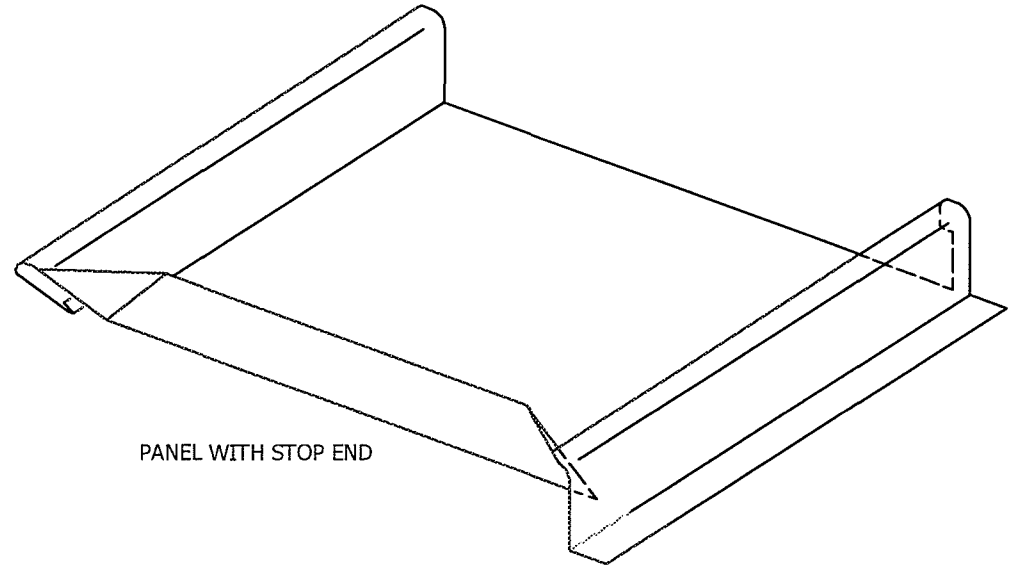


COLOURBOND NAILSTRIP FIXING INSTRUCTIONS

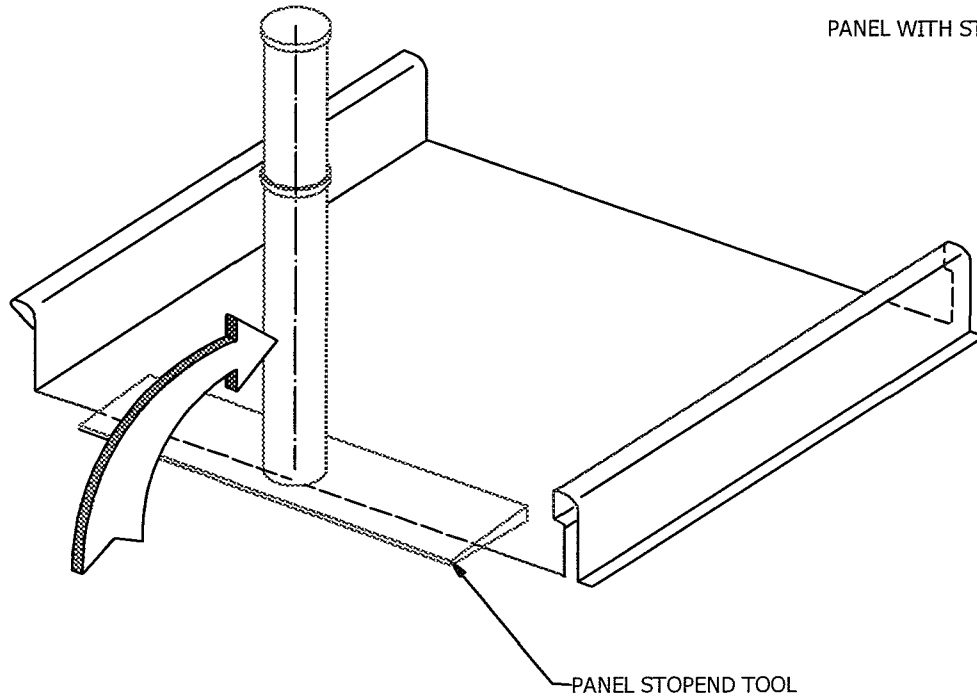
TYPICAL STOP END



STOP END DETAIL



PANEL WITH STOP END



PANEL STOP END TOOL

1. PLACE PAN INTO THE PANEL STOP END TOOL. THE FRONT EDGE OF THE TOOL MUST REST BETWEEN THE RIBS.
2. WHILE MAINTAINING PRESSURE AGAINST THE PANEL, ROTATE THE STOP END TOOL AS CLOSE TO 90° AS POSSIBLE.
3. INSPECT COMPLETED BEND.