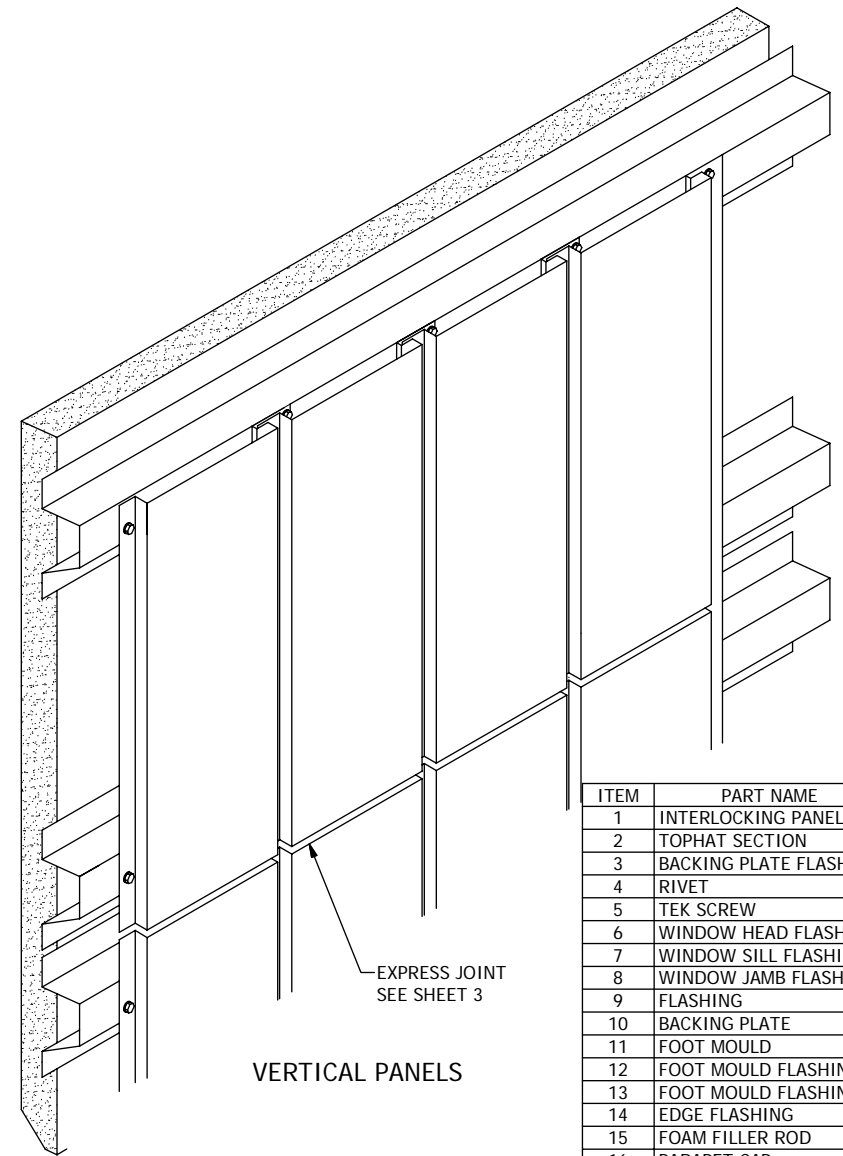
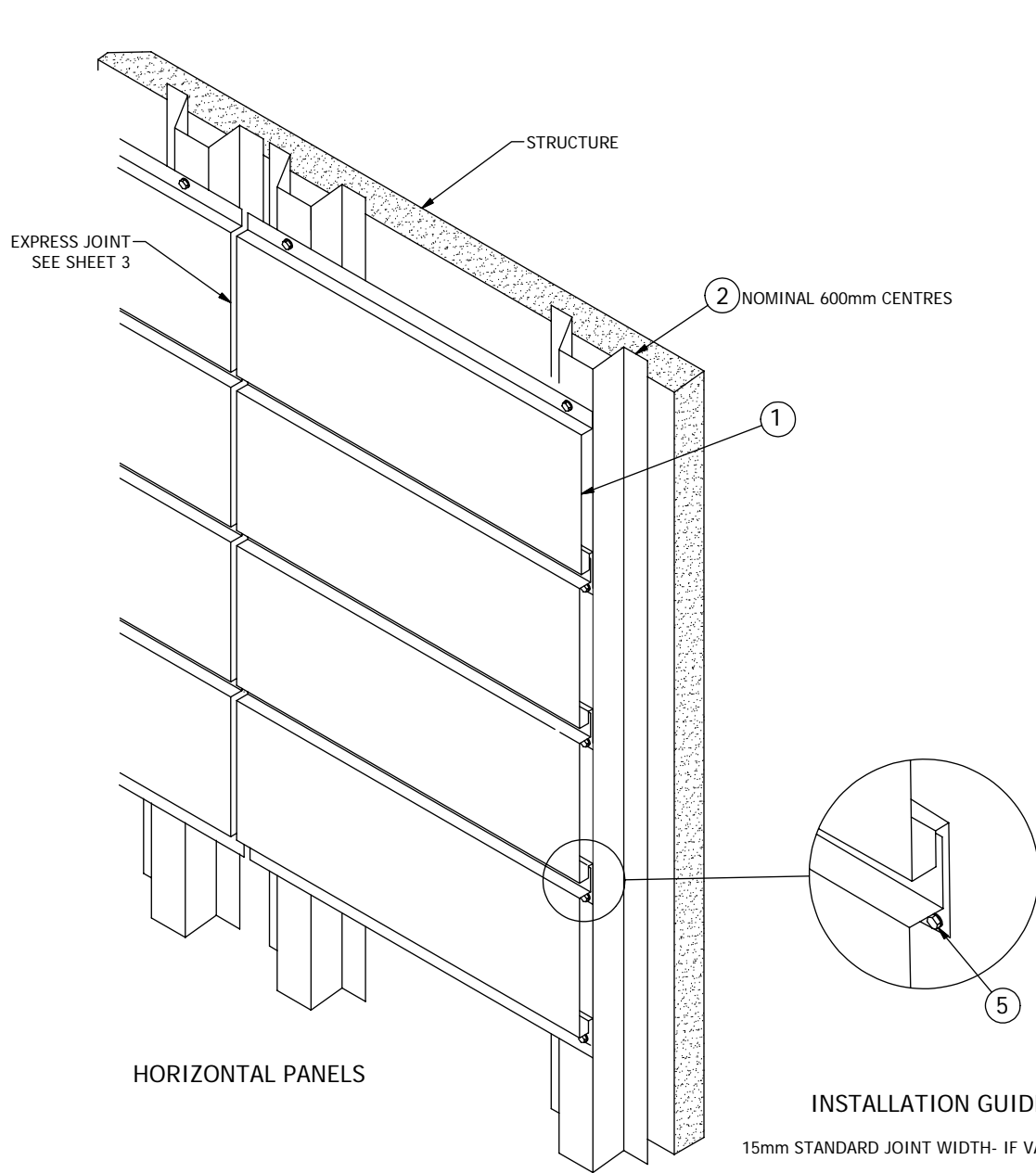


# GENERAL LAYOUT



ITEM	PART NAME
1	INTERLOCKING PANEL
2	TOPHAT SECTION
3	BACKING PLATE FLASHING
4	RIVET
5	TEK SCREW
6	WINDOW HEAD FLASHING
7	WINDOW SILL FLASHING
8	WINDOW JAMB FLASHING
9	FLASHING
10	BACKING PLATE
11	FOOT MOULD
12	FOOT MOULD FLASHING A
13	FOOT MOULD FLASHING B
14	EDGE FLASHING
15	FOAM FILLER ROD
16	PARAPET CAP

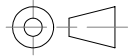
## INSTALLATION GUIDE

15mm STANDARD JOINT WIDTH- IF VARIABLE CONTACT FIELDERS

APPROVED BY :			
REV LETTER	REV DESCRIPTION	APPROVED	DATE
---	RELEASE		



15 Railway Terrace Mile End South SA 5031  
 Telephone: (08) 8292 3611  
 Facsimile: (08) 8292 3626



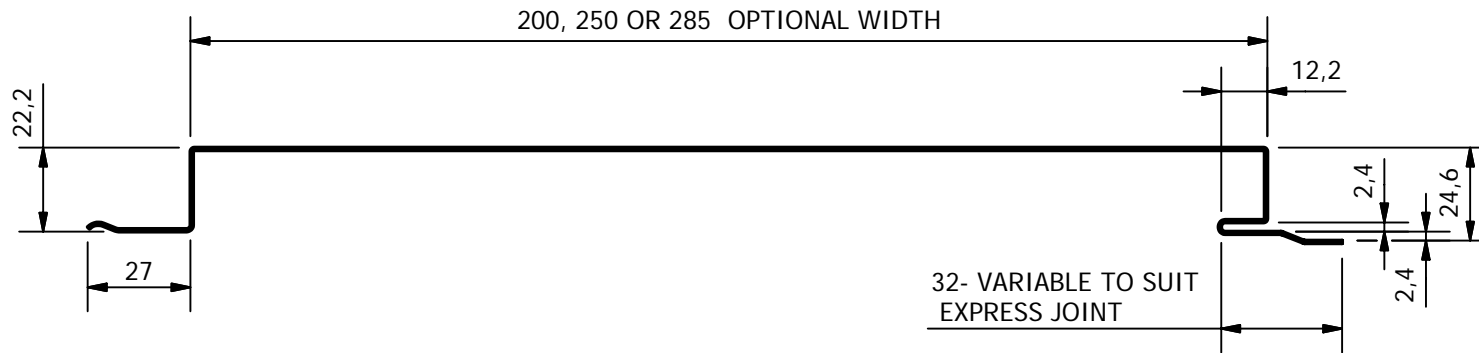
**COPYRIGHT**  
 THIS DRAWING IS THE PROPERTY OF  
 FIELDERS AUSTRALIA PTY LTD  
 IT IS A CONFIDENTIAL DOCUMENT AND MUST NOT  
 BE COPIED, REPRODUCED, USED OR ITS CONTENTS  
 DIVULGED WITHOUT PRIOR WRITTEN CONSENT

MATERIAL:	FINISH:	QTY:	OFF	DESIGNED	NAME	SIGNED	DATE
TOLERANCES	M/M	INCH		DRAWN	CPS- BB		28.4.11
0				CHECKED			
0.0				APPROVED			
0.00				IMAGE No:	FILE No:		
ANGLES				REF. FILE No:	CAD FILE No:		
ALL DIM'S IN MM UNLESS STATED				PATH:			

TITLE:	SCALE:	AT A3	DRAWING NUMBER:	READ WITH
INTERLOCKING PANEL INSTALLATION DETAILS	NTS		ROF11004	
			SHEET 1 OF 12 SHEETS	

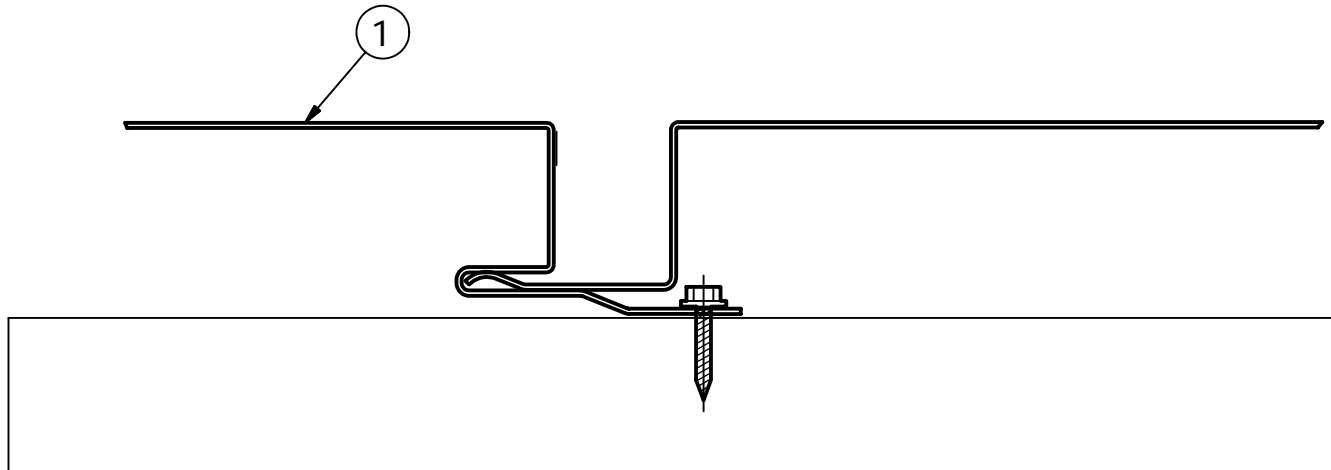
FIELDERS AUSTRALIA PTY LTD

# PROFILE & FIXING METHOD



STANDARD PROFILE

ITEM	PART NAME
1	INTERLOCKING PANEL
2	TOPHAT SECTION
3	BACKING PLATE FLASHING
4	RIVET
5	TEK SCREW
6	WINDOW HEAD FLASHING
7	WINDOW SILL FLASHING
8	WINDOW JAMB FLASHING
9	FLASHING
10	BACKING PLATE
11	FOOT MOULD
12	FOOT MOULD FLASHING A
13	FOOT MOULD FLASHING B
14	EDGE FLASHING
15	FOAM FILLER ROD
16	PARAPET CAP



15mm STANDARD JOINT WIDTH- IF VARIABLE CONTACT FIELDERS

Ph: (08) 8292 3611

Fax: (08) 8292 3626



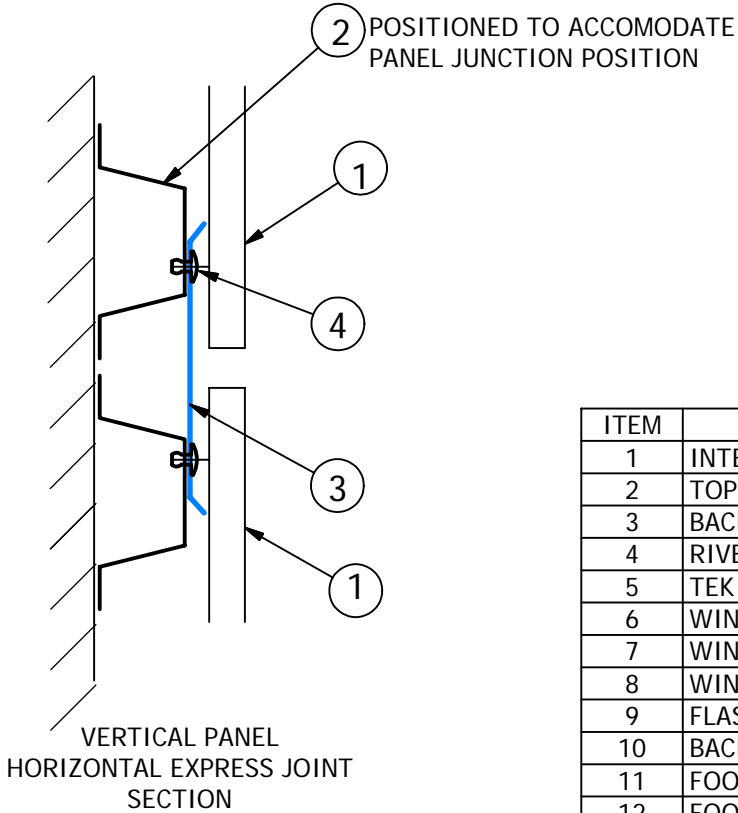
FIELDERS AUSTRALIA PTY LTD  
15 Railway Tce, Mile End South, SA 5031

### COPYRIGHT

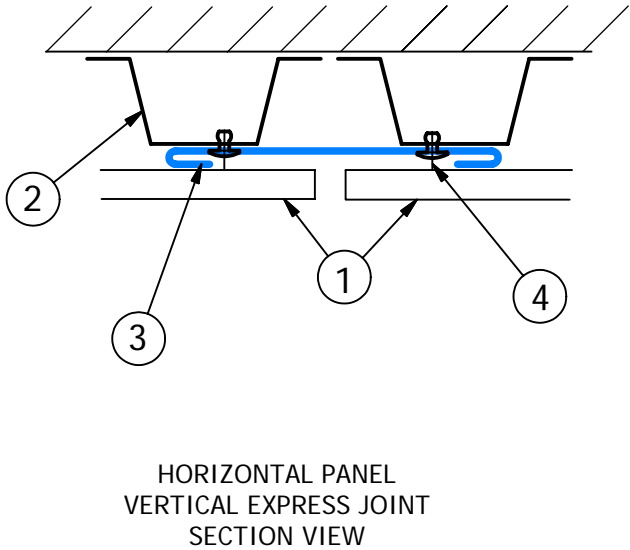
This drawing is the property of  
**FIELDERS AUSTRALIA PTY LTD**  
It is a confidential document and  
must not be copied, reproduced, used  
or its contents divulged without  
prior written consent

	NAME	SIGNED	DATE	TITLE:
DESIGNED				<b>INTERLOCKING PANEL INSTALLATION DETAILS</b>
DRAWN	CPS- BB		29.4.11	
CHECKED				SCALE AT A4
APPROVED				DRAWING NUMBER
IMAGE No:	FILE No:			READ WITH
REF. FILE No:	CAD FILE No:			NTS
PATH:				<b>ROF11004</b>
				Cadsys: Inventor 11
				SHEET 2 OF 12 SHEETS

# EXPRESS JOINTS



ITEM	PART NAME
1	INTERLOCKING PANEL
2	TOPHAT SECTION
3	BACKING PLATE FLASHING
4	RIVET
5	TEK SCREW
6	WINDOW HEAD FLASHING
7	WINDOW SILL FLASHING
8	WINDOW JAMB FLASHING
9	FLASHING
10	BACKING PLATE
11	FOOT MOULD
12	FOOT MOULD FLASHING A
13	FOOT MOULD FLASHING B
14	EDGE FLASHING
15	FOAM FILLER ROD
16	PARAPET CAP



15mm STANDARD JOINT WIDTH- IF VARIABLE CONTACT FIELDERS

Ph: (08) 8292 3611 Fax: (08) 8292 3626



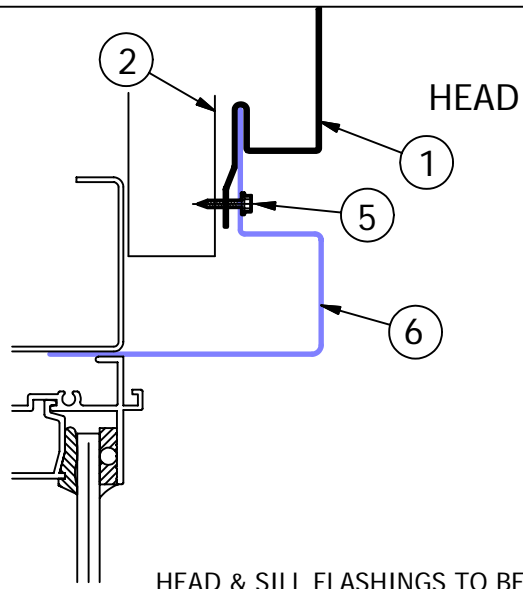
FIELDERS AUSTRALIA PTY LTD  
15 Railway Tce, Mile End South, SA 5031

**COPYRIGHT**

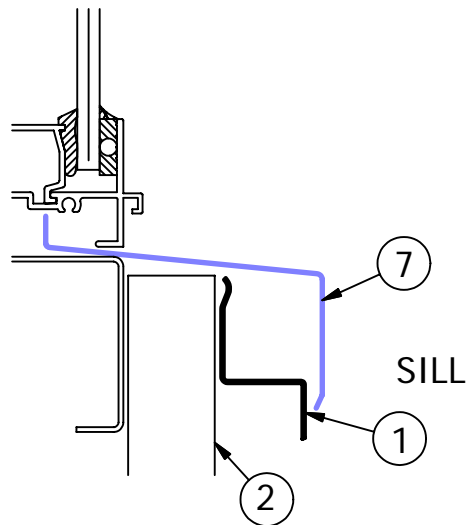
This drawing is the property of  
**FIELDERS AUSTRALIA PTY LTD**  
It is a confidential document and  
must not be copied, reproduced, used  
or its contents divulged without  
prior written consent

	NAME	SIGNED	DATE	TITLE:
DESIGNED				<b>INTERLOCKING PANEL INSTALLATION DETAILS</b>
DRAWN	CPS- BB		28.4.11	
CHECKED				SCALE AT A4 NTS
APPROVED				DRAWING NUMBER <b>ROF11004</b>
IMAGE No:	FILE No:			READ WITH <b>ROF11004</b>
REF. FILE No:	CAD FILE No:			Cadsys: Inventor 11
PATH:				SHEET 3 OF 12 SHEETS

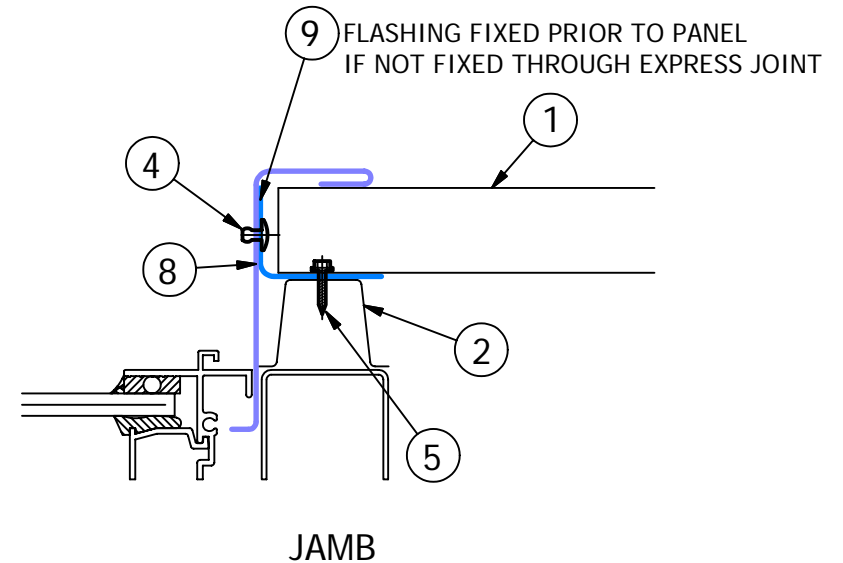
# HORIZONTAL PANEL WINDOW DETAILS



HEAD & SILL FLASHINGS TO BE TURNED UP & DOWN BEHIND JAMB FLASHING



ITEM	PART NAME
1	INTERLOCKING PANEL
2	TOPHAT SECTION
3	BACKING PLATE FLASHING
4	RIVET
5	TEK SCREW
6	WINDOW HEAD FLASHING
7	WINDOW SILL FLASHING
8	WINDOW JAMB FLASHING
9	FLASHING
10	BACKING PLATE
11	FOOT MOULD
12	FOOT MOULD FLASHING A
13	FOOT MOULD FLASHING B
14	EDGE FLASHING
15	FOAM FILLER ROD
16	PARAPET CAP



15mm STANDARD JOINT WIDTH- IF VARIABLE CONTACT FIELDERS

Ph: (08) 8292 3611

Fax: (08) 8292 3626



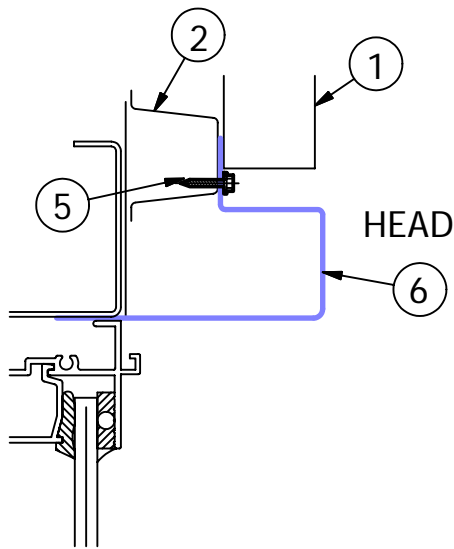
FIELDERS AUSTRALIA PTY LTD  
15 Railway Tce, Mile End South, SA 5031

### COPYRIGHT

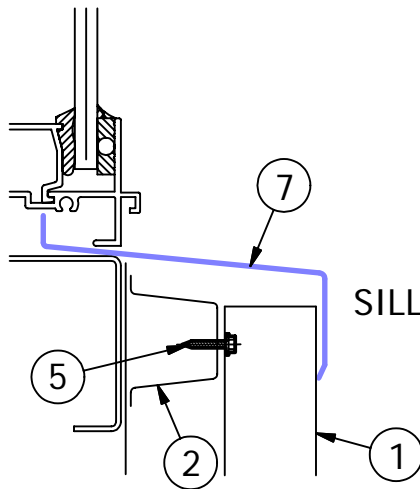
This drawing is the property of  
**FIELDERS AUSTRALIA PTY LTD**  
It is a confidential document and  
must not be copied, reproduced, used  
or its contents divulged without  
prior written consent

	NAME	SIGNED	DATE	TITLE:
DESIGNED				<b>INTERLOCKING PANEL INSTALLATION DETAILS</b>
DRAWN	CPS- BB		28.4.11	
CHECKED				SCALE AT A4 DRAWING NUMBER READ WITH
APPROVED				NTS <b>ROF11004</b>
IMAGE No:	FILE No:			Cadsys: Inventor 11 SHEET 4 OF 12 SHEETS
REF. FILE No:	CAD FILE No:			
PATH:				

# VERTICAL PANELS WINDOW DETAILS

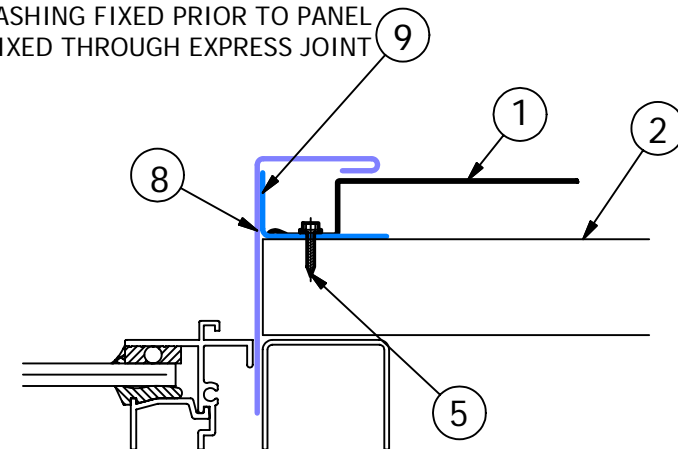


HEAD & SILL FLASHINGS TO BE  
TURNED UP & DOWN BEHIND  
JAMB FLASHING



ITEM	PART NAME
1	INTERLOCKING PANEL
2	TOPHAT SECTION
3	BACKING PLATE FLASHING
4	RIVET
5	TEK SCREW
6	WINDOW HEAD FLASHING
7	WINDOW SILL FLASHING
8	WINDOW JAMB FLASHING
9	FLASHING
10	BACKING PLATE
11	FOOT MOULD
12	FOOT MOULD FLASHING A
13	FOOT MOULD FLASHING B
14	EDGE FLASHING
15	FOAM FILLER ROD
16	PARAPET CAP

FLASHING FIXED PRIOR TO PANEL  
IF NOT FIXED THROUGH EXPRESS JOINT



JAMB

15mm STANDARD JOINT WIDTH- IF VARIABLE CONTACT FIELDERS

Ph: (08) 8292 3611

Fax: (08) 8292 3626



FIELDERS AUSTRALIA PTY LTD  
15 Railway Tce, Mile End South, SA 5031

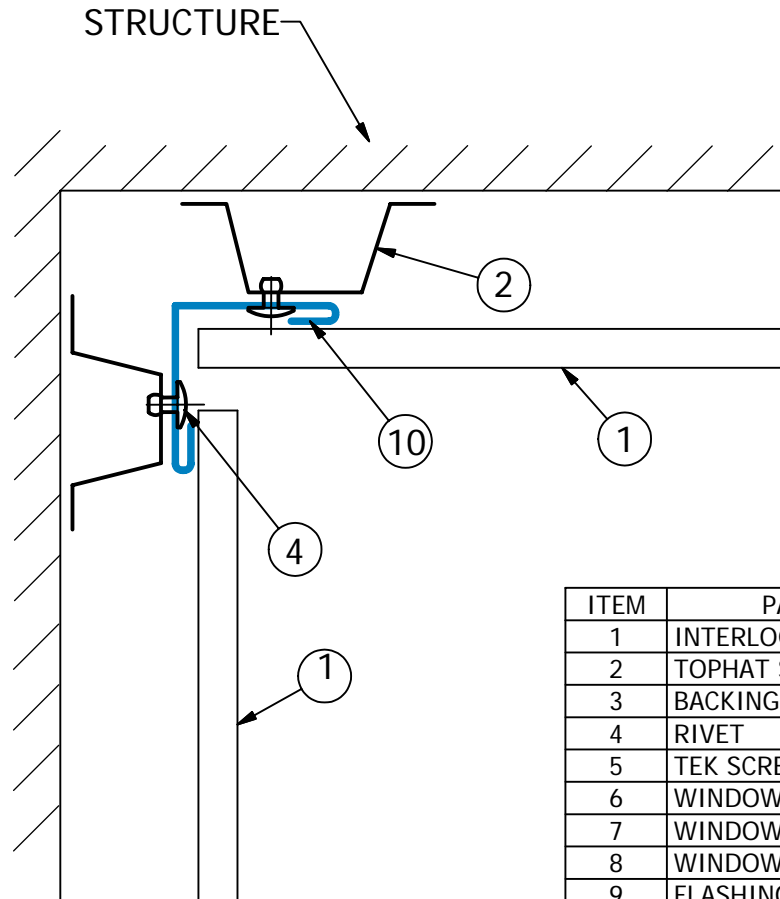
### COPYRIGHT

This drawing is the property of  
FIELDERS AUSTRALIA PTY LTD

It is a confidential document and  
must not be copied, reproduced, used  
or its contents divulged without  
prior written consent

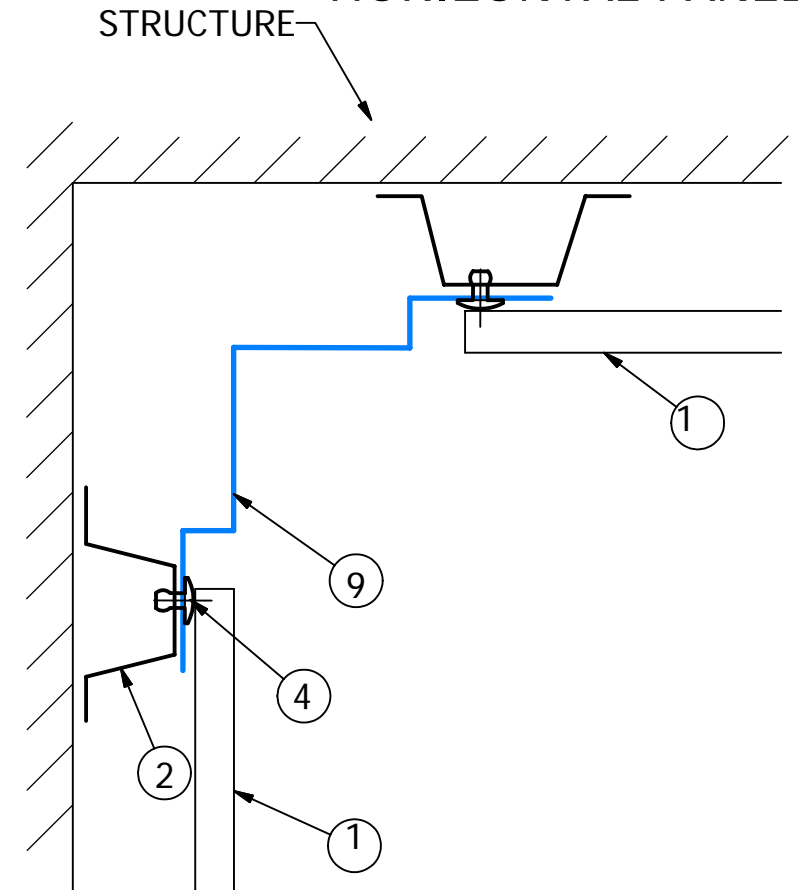
	NAME	SIGNED	DATE	TITLE:
DESIGNED				INTERLOCKING PANEL INSTALLATION DETAILS
DRAWN	CPS- BB		28.4.11	
CHECKED				SCALE AT A4
APPROVED				DRAWING NUMBER
IMAGE No:	FILE No:			ROF11004
REF. FILE No:	CAD FILE No:			READ WITH
PATH:				Cadsys: Inventor 11
				SHEET 5 OF 12 SHEETS

# INTERIOR CORNER HORIZONTAL PANELS



INTERIOR CORNER- 1  
(HORIZONTAL PANELS)

ITEM	PART NAME
1	INTERLOCKING PANEL
2	TOPHAT SECTION
3	BACKING PLATE FLASHING
4	RIVET
5	TEK SCREW
6	WINDOW HEAD FLASHING
7	WINDOW SILL FLASHING
8	WINDOW JAMB FLASHING
9	FLASHING
10	BACKING PLATE
11	FOOT MOULD
12	FOOT MOULD FLASHING A
13	FOOT MOULD FLASHING B
14	EDGE FLASHING
15	FOAM FILLER ROD
16	PARAPET CAP



INTERIOR CORNER- 2  
(HORIZONTAL PANELS)

15mm STANDARD JOINT WIDTH- IF VARIABLE CONTACT FIELDERS

Ph: (08) 8292 3611

Fax: (08) 8292 3626



FIELDERS AUSTRALIA PTY LTD  
15 Railway Tce, Mile End South, SA 5031

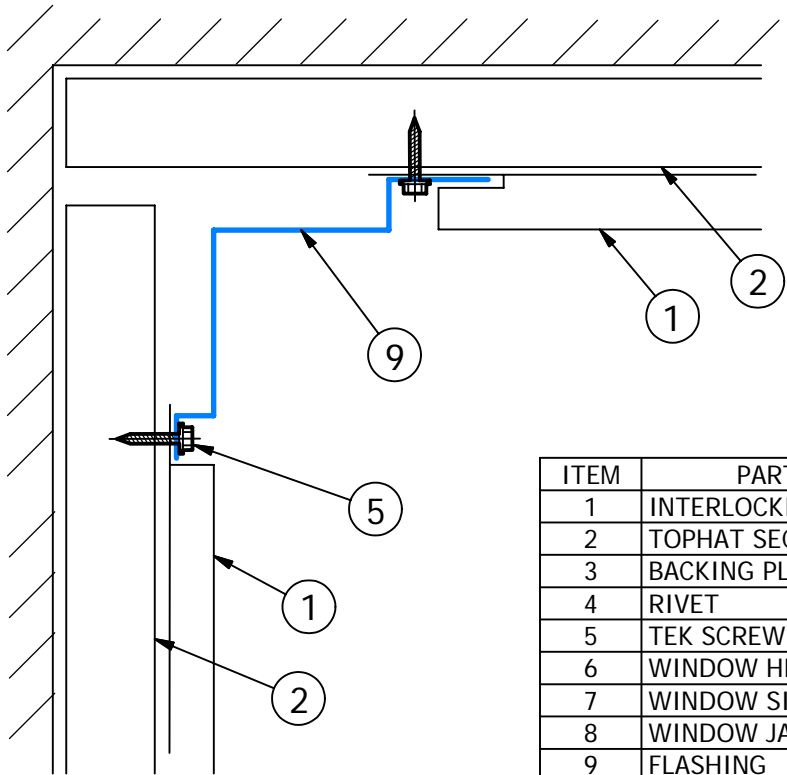
### COPYRIGHT

This drawing is the property of  
FIELDERS AUSTRALIA PTY LTD

It is a confidential document and  
must not be copied, reproduced, used  
or its contents divulged without  
prior written consent

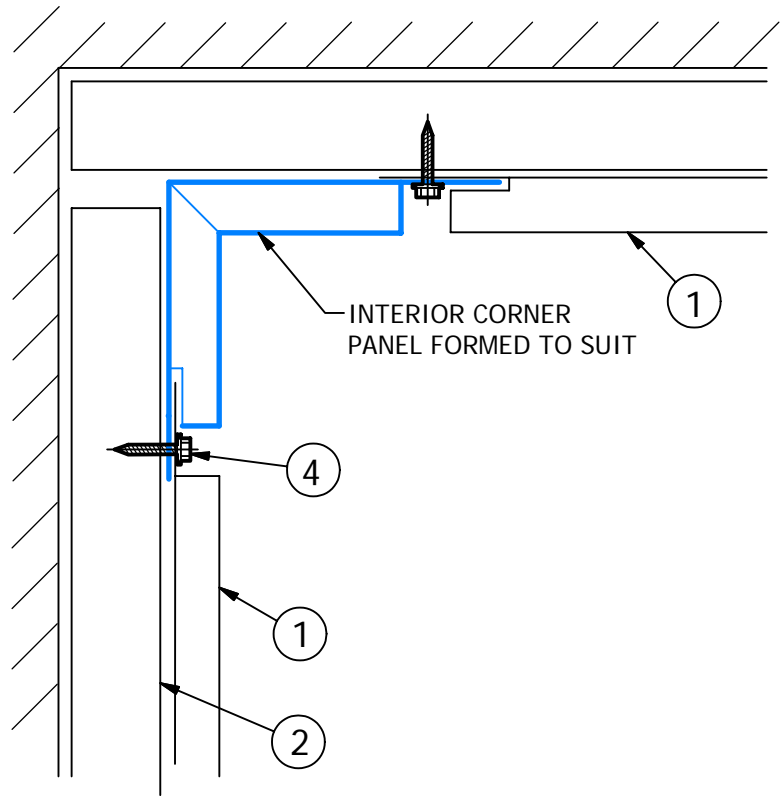
	NAME	SIGNED	DATE	TITLE:
DESIGNED				INTERLOCKING PANEL INSTALLATION DETAILS
DRAWN	CPS- BB		28.4.11	
CHECKED				
APPROVED				SCALE AT A4 NTS
IMAGE No:	FILE No:			DRAWING NUMBER ROF11004
REF. FILE No:	CAD FILE No:			READ WITH SHEET 6 OF 12 SHEETS
PATH:				Cadsys: Inventor 11

# INTERIOR CORNER VERTICAL PANELS



INTERIOR CORNER- 1  
VERTICAL PANELS

ITEM	PART NAME
1	INTERLOCKING PANEL
2	TOPHAT SECTION
3	BACKING PLATE FLASHING
4	RIVET
5	TEK SCREW
6	WINDOW HEAD FLASHING
7	WINDOW SILL FLASHING
8	WINDOW JAMB FLASHING
9	FLASHING
10	BACKING PLATE
11	FOOT MOULD
12	FOOT MOULD FLASHING A
13	FOOT MOULD FLASHING B
14	EDGE FLASHING
15	FOAM FILLER ROD
16	PARAPET CAP



INTERIOR CORNER- 2  
VERTICAL PANELS

15mm STANDARD JOINT WIDTH- IF VARIABLE CONTACT FIELDS

Ph: (08) 8292 3611

Fax: (08) 8292 3626

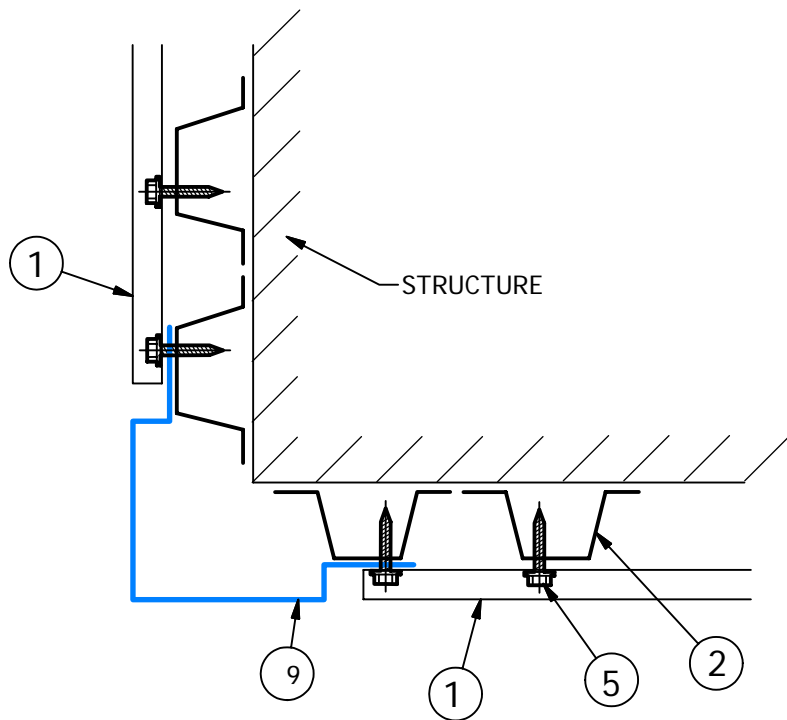


FIELDERS AUSTRALIA PTY LTD  
15 Railway Tce, Mile End South, SA 5031

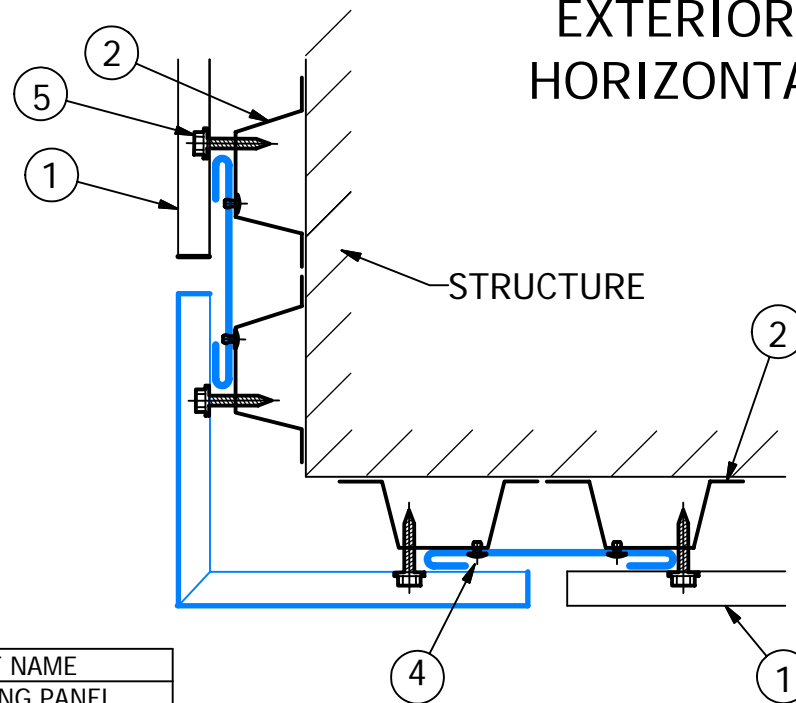
**COPYRIGHT**

This drawing is the property of  
**FIELDERS AUSTRALIA PTY LTD**  
It is a confidential document and  
must not be copied, reproduced, used  
or its contents divulged without  
prior written consent

	NAME	SIGNED	DATE	TITLE:
DESIGNED				<b>INTERLOCKING PANEL INSTALLATION DETAILS</b>
DRAWN	CPS- BB		28.4.11	
CHECKED				SCALE AT A4
APPROVED				NTS
IMAGE No:	FILE No:			DRAWING NUMBER
REF. FILE No:	CAD FILE No:			ROF11004
PATH:				READ WITH
				SHEET 7 OF 12 SHEETS



EXTERIOR CORNER- 1  
(HORIZONTAL PANELS)



EXTERIOR CORNER- 2  
(HORIZONTAL PANELS)

ITEM	PART NAME
1	INTERLOCKING PANEL
2	TOPHAT SECTION
3	BACKING PLATE FLASHING
4	RIVET
5	TEK SCREW
6	WINDOW HEAD FLASHING
7	WINDOW SILL FLASHING
8	WINDOW JAMB FLASHING
9	FLASHING
10	BACKING PLATE
11	FOOT MOULD
12	FOOT MOULD FLASHING A
13	FOOT MOULD FLASHING B
14	EDGE FLASHING
15	FOAM FILLER ROD
16	PARAPET CAP

15mm STANDARD JOINT WIDTH- IF VARIABLE CONTACT FIELDERS

Ph: (08) 8292 3611

Fax: (08) 8292 3626



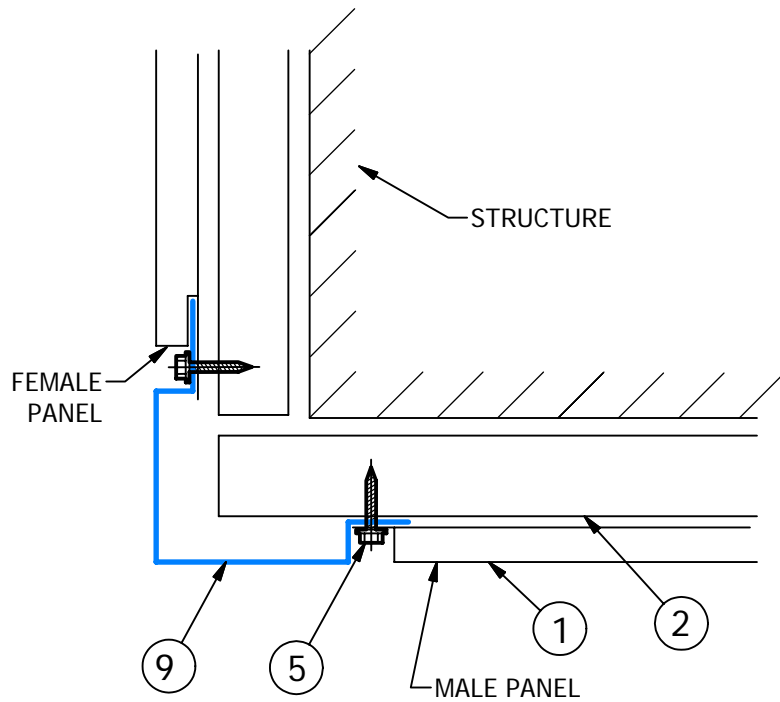
FIELDERS AUSTRALIA PTY LTD  
15 Railway Tce, Mile End South, SA 5031

**COPYRIGHT**

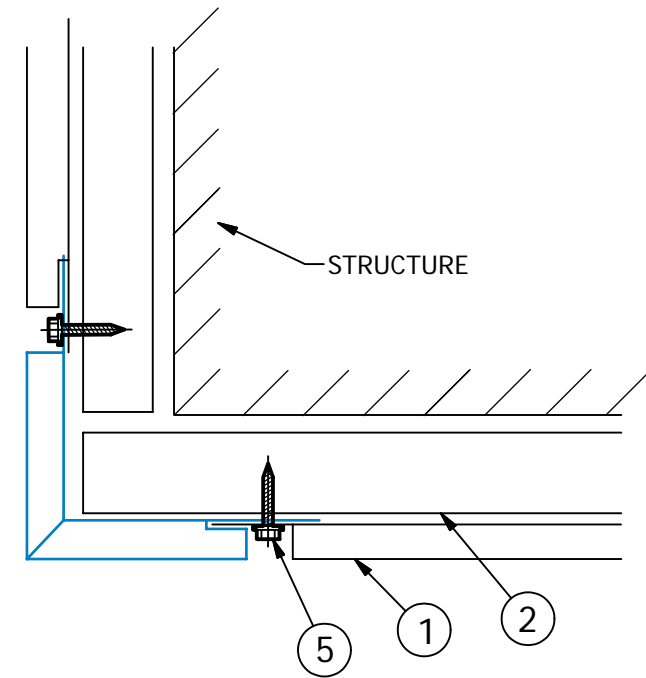
This drawing is the property of  
**FIELDERS AUSTRALIA PTY LTD**  
It is a confidential document and  
must not be copied, reproduced, used  
or its contents divulged without  
prior written consent

	NAME	SIGNED	DATE	TITLE:
DESIGNED				<b>INTERLOCKING PANEL INSTALLATION DETAILS</b>
DRAWN	CPS- BB		8AUG11	
CHECKED				SCALE AT A4
APPROVED				NTS
IMAGE No:	FILE No:			DRAWING NUMBER
REF. FILE No:	CAD FILE No:			ROF11004
PATH:				READ WITH
				SHEET 8 OF 12 SHEETS

# EXTERIOR CORNER VERTICAL PANELS



EXTERIOR CORNER- 1  
(VERTICAL PANELS)



EXTERIOR CORNER- 2  
(VERTICAL PANELS)

ITEM	PART NAME
1	INTERLOCKING PANEL
2	TOPHAT SECTION
3	BACKING PLATE FLASHING
4	RIVET
5	TEK SCREW
6	WINDOW HEAD FLASHING
7	WINDOW SILL FLASHING
8	WINDOW JAMB FLASHING
9	FLASHING
10	BACKING PLATE
11	FOOT MOULD
12	FOOT MOULD FLASHING A
13	FOOT MOULD FLASHING B
14	EDGE FLASHING
15	FOAM FILLER ROD
16	PARAPET CAP

15mm STANDARD JOINT WIDTH- IF VARIABLE CONTACT FIELDERS

Ph: (08) 8292 3611

Fax: (08) 8292 3626



FIELDERS AUSTRALIA PTY LTD  
15 Railway Tce, Mile End South, SA 5031

### COPYRIGHT

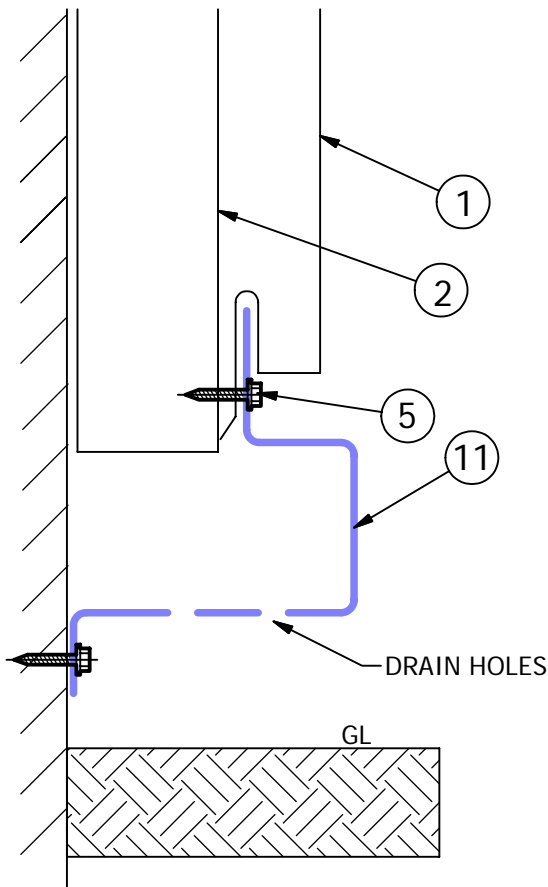
This drawing is the property of  
FIELDERS AUSTRALIA PTY LTD

It is a confidential document and  
must not be copied, reproduced, used  
or its contents divulged without  
prior written consent

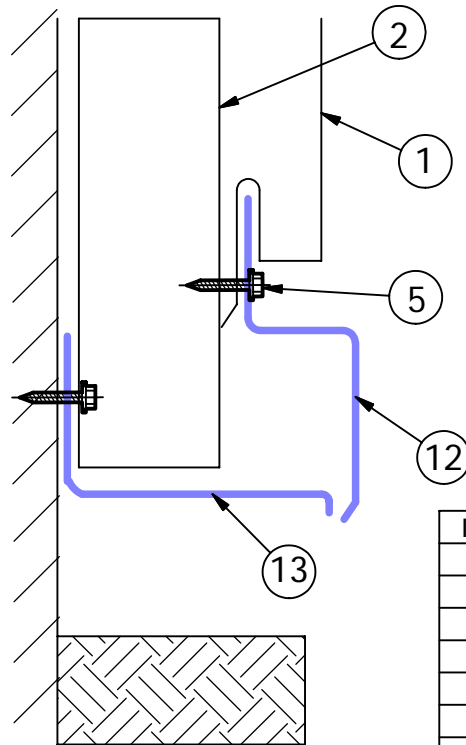
	NAME	SIGNED	DATE
DESIGNED			
DRAWN	CPS- BB		28.4.11
CHECKED			
APPROVED			
IMAGE No:	FILE No:		
REF. FILE No:	CAD FILE No:		
PATH:			

TITLE:			
<b>INTERLOCKING PANEL INSTALLATION DETAILS</b>			
SCALE	AT A4	DRAWING NUMBER	READ WITH
NTS		<b>ROF11004</b>	
Cadsys: Inventor 11		SHEET 9 OF 12	SHEETS

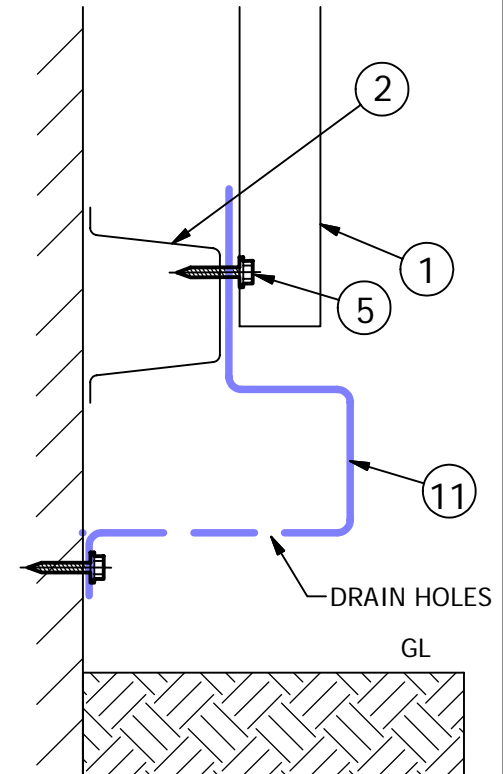
# FOOT MOULD & BOTTOM OF FACADE DETAILS



**FOOT MOULD- 1**  
HORIZONTAL PANELS



**FOOT MOULD- 2**  
HORIZONTAL PANELS



**FOOT MOULD- 3**  
VERTICAL PANELS

ITEM	PART NAME
1	INTERLOCKING PANEL
2	TOPHAT SECTION
3	BACKING PLATE FLASHING
4	RIVET
5	TEK SCREW
6	WINDOW HEAD FLASHING
7	WINDOW SILL FLASHING
8	WINDOW JAMB FLASHING
9	FLASHING
10	BACKING PLATE
11	FOOT MOULD
12	FOOT MOULD FLASHING A
13	FOOT MOULD FLASHING B
14	EDGE FLASHING
15	FOAM FILLER ROD
16	PARAPET CAP

15mm STANDARD JOINT WIDTH- IF VARIABLE CONTACT FIELDERS

Ph: (08) 8292 3611

Fax: (08) 8292 3626



FIELDERS AUSTRALIA PTY LTD  
15 Railway Tce, Mile End South, SA 5031

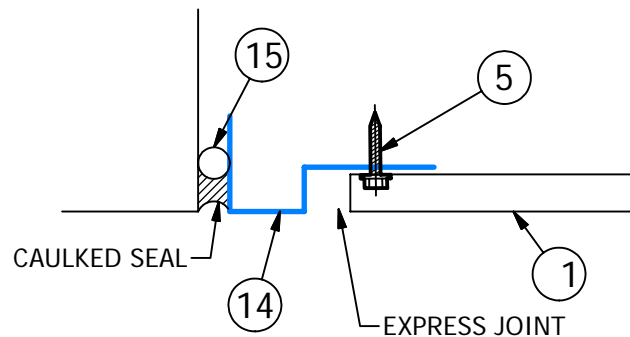
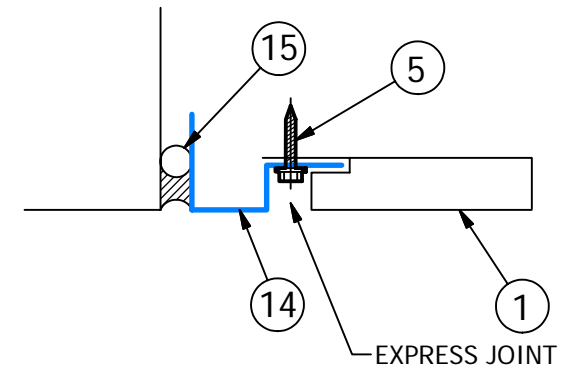
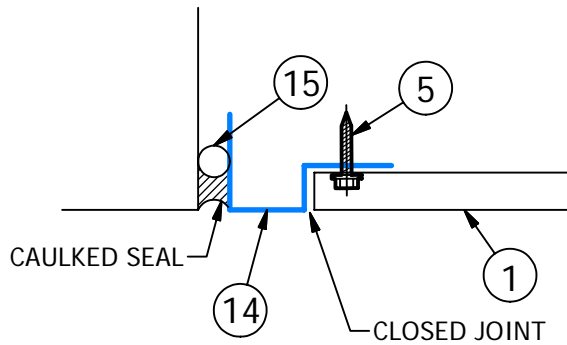
### COPYRIGHT

This drawing is the property of  
**FIELDERS AUSTRALIA PTY LTD**  
It is a confidential document and  
must not be copied, reproduced, used  
or its contents divulged without  
prior written consent

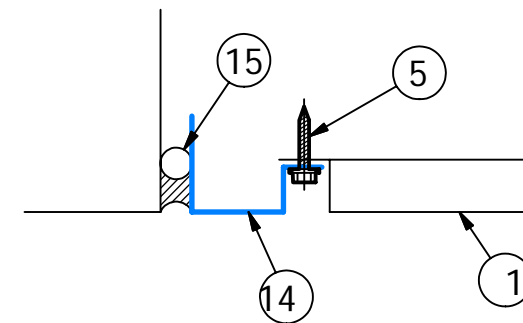
	NAME	SIGNED	DATE
DESIGNED			
DRAWN	CPS- BB		8AUG11
CHECKED			
APPROVED			
IMAGE No:	FILE No:		
REF. FILE No:	CAD FILE No:		
PATH:			

TITLE:			
<b>INTERLOCKING PANEL INSTALLATION DETAILS</b>			
SCALE	AT A4	DRAWING NUMBER	READ WITH
NTS		<b>ROF11004</b>	
Cadsys: Inventor 11		SHEET 10 OF 12	SHEETS

# EDGE DETAIL TO CONCRETE OR BRICKWORK



EDGE DETAIL  
HORIZONTAL PANELS



EDGE DETAIL  
VERTICAL PANELS

15mm STANDARD JOINT WIDTH- IF VARIABLE CONTACT FIELDS

ITEM	PART NAME
1	INTERLOCKING PANEL
2	TOPHAT SECTION
3	BACKING PLATE FLASHING
4	RIVET
5	TEK SCREW
6	WINDOW HEAD FLASHING
7	WINDOW SILL FLASHING
8	WINDOW JAMB FLASHING
9	FLASHING
10	BACKING PLATE
11	FOOT MOULD
12	FOOT MOULD FLASHING A
13	FOOT MOULD FLASHING B
14	EDGE FLASHING
15	FOAM FILLER ROD
16	PARAPET CAP

Ph: (08) 8292 3611

Fax: (08) 8292 3626



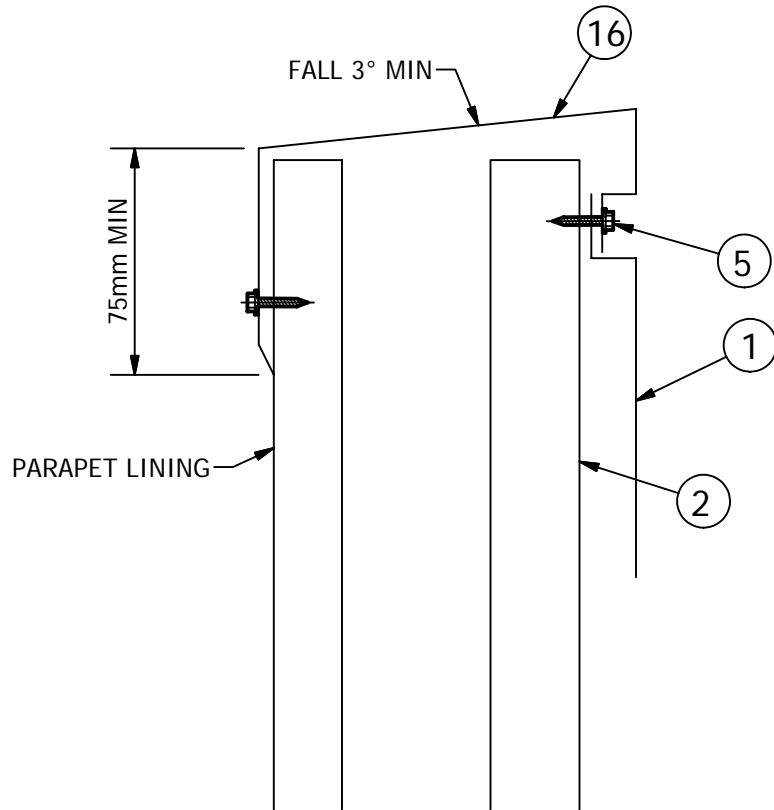
FIELDERS AUSTRALIA PTY LTD  
15 Railway Tce, Mile End South, SA 5031

### COPYRIGHT

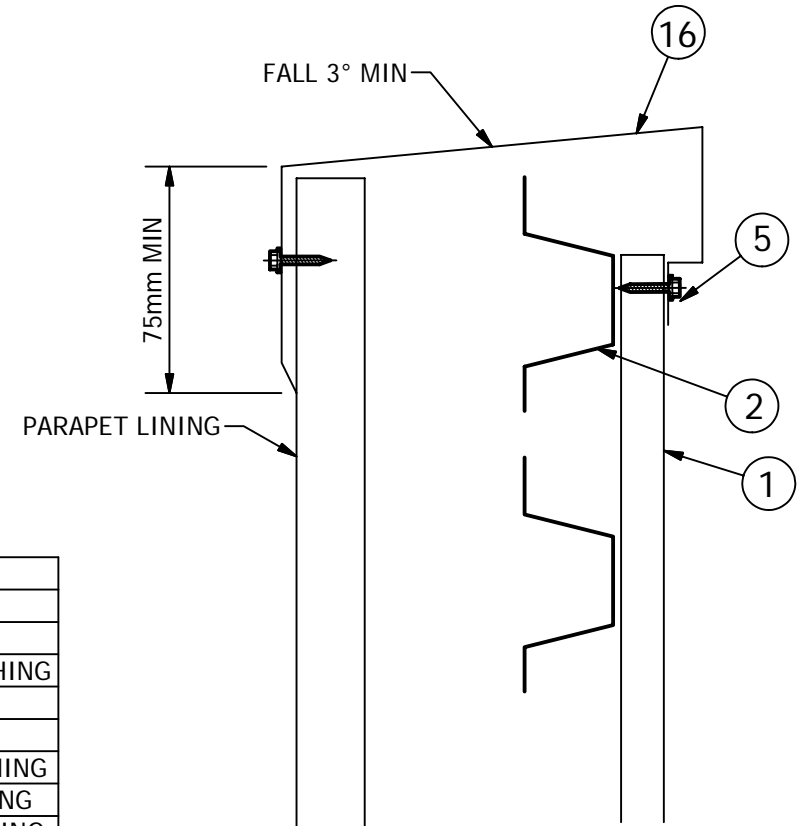
This drawing is the property of  
**FIELDERS AUSTRALIA PTY LTD**  
It is a confidential document and  
must not be copied, reproduced, used  
or its contents divulged without  
prior written consent

	NAME	SIGNED	DATE	TITLE:
DESIGNED				<b>INTERLOCKING PANEL INSTALLATION DETAILS</b>
DRAWN	CPS- BB		8AUG11	
CHECKED				
APPROVED				SCALE AT A4 DRAWING NUMBER READ WITH
IMAGE No:	FILE No:			NTS <b>ROF11004</b>
REF. FILE No:	CAD FILE No:			Cadsys: Inventor 11 SHEET 11 OF 12 SHEETS
PATH:				

# FACADE & PARAPET DETAILS



PARAPET CAP  
HORIZONTAL PANELS



PARAPET CAP  
VERTICAL PANELS

ITEM	PART NAME
1	INTERLOCKING PANEL
2	TOPHAT SECTION
3	BACKING PLATE FLASHING
4	RIVET
5	TEK SCREW
6	WINDOW HEAD FLASHING
7	WINDOW SILL FLASHING
8	WINDOW JAMB FLASHING
9	FLASHING 90
10	BACKING PLATE 90
11	FOOT MOULD
12	FOOT MOULD FLASHING A
13	FOOT MOULD FLASHING B
14	EDGE FLASHING
15	FOAM FILLER ROD
16	PARAPET CAP

15mm STANDARD JOINT WIDTH- IF VARIABLE CONTACT FIELDERS

Ph: (08) 8292 3611

Fax: (08) 8292 3626



FIELDERS AUSTRALIA PTY LTD  
15 Railway Tce, Mile End South, SA 5031

### COPYRIGHT

This drawing is the property of  
**FIELDERS AUSTRALIA PTY LTD**  
It is a confidential document and  
must not be copied, reproduced, used  
or its contents divulged without  
prior written consent

	NAME	SIGNED	DATE	TITLE:
DESIGNED				<b>INTERLOCKING PANEL INSTALLATION DETAILS</b>
DRAWN	CPS- BB		8AUG11	
CHECKED				
APPROVED				SCALE AT A4 DRAWING NUMBER READ WITH
IMAGE No:	FILE No:			NTS <b>ROF11004</b>
REF. FILE No:	CAD FILE No:			Cadsys: Inventor 11 SHEET 12 OF 12 SHEETS
PATH:				