

**FIELDERS**  
**DOMINATOR**  
**FENCING SYSTEMS**



**Fielders Fencing Solutions**



**FINISH ON TOP WITH FIELDERS**

At Fielders, we do not sit on the fence when it comes to the range, reliability, flexibility, strength and appearance of our Dominator fencing products. When choosing your fence, many factors need to be considered: design, appearance, ease of installation, cost, and most importantly privacy for you and your neighbours.

With Fielders extensive range of fencing, you can choose from many attractive designs, from the ever popular neighbour friendly Dominator Panel Fence to the trendy Mini-Flute fencing with rolled capping. Fielders fencing can be easily erected yourself, ensuring privacy with cost saving in mind. All our fencing is available in long life pre painted Colorbond® or Zincolume® steel. Fielders have all boundaries covered.

Fielders also manufacturer both single and double access gates to blend with the colour and style of your fence. Standard sizes are available, or they can be custom made to suit your requirements. All gates are supplied with hinges and latches. For extra security and added peace of mind, a single or dual lock-latch is available.





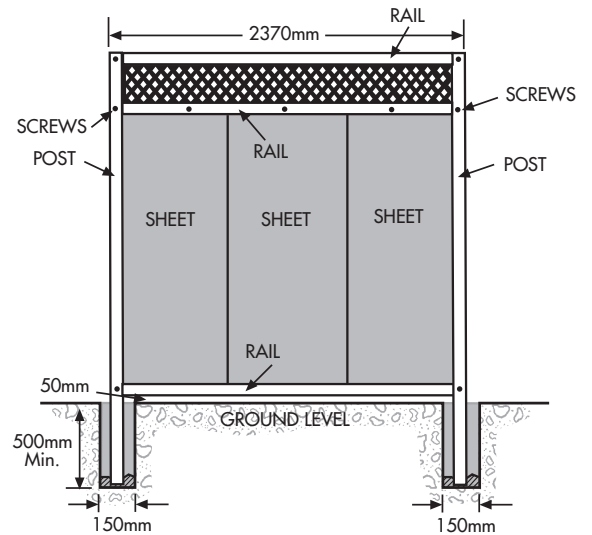
# Dominator Panel Fencing with lattice

Fielders Dominator Panel Fencing with lattice still provides the privacy, security and appearance of Panel Fencing, whilst also providing a more distinguished, unique and attractive fence, which will add value to any home.

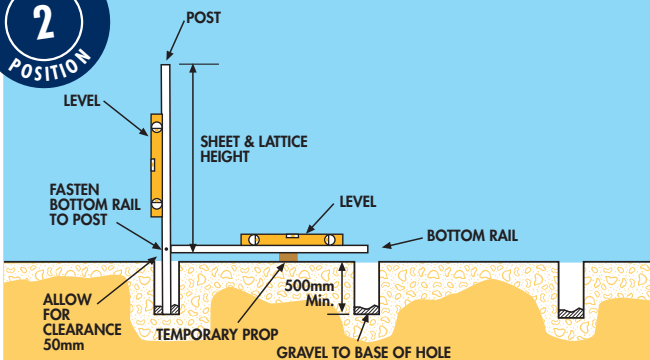


## Components per panel:

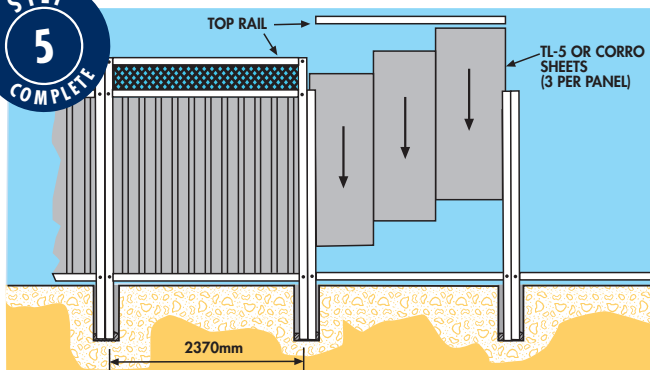
- 2 x posts
- 3 x rails
- 3 x fence sheets
- 20 x 10x16 tek screws (approx)
- 1 x lattice infill sheet
- 1 x plastic post cap



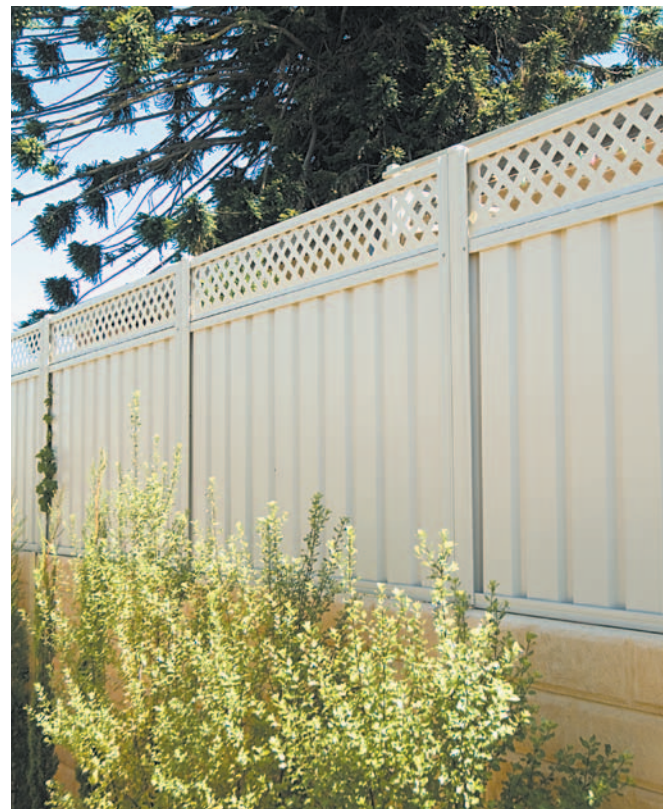
FOLLOW STEPS:  
DOMINATOR  
PANEL FENCING



For first module, position bottom rail to suit length of corrugated or TL5 sheets + 300mm for lattice. Secure bottom rail to post using 10 x 16 tek screws on either side of post.



Slide sheets into position. Place top rail over sheets ensuring there is 300mm for lattice infill. Place lattice infill on the top rail as per diagram. Secure to top rail with tek screws evenly spaced. Place other top rail over lattice and secure to posts. Fit plastic post cap and secure with silicon sealant.



## Note in both applications:

Dominator Panel Fencing and Panel Fencing with lattice:

A 50x50 steel post is recommended for starts and ends of runs as well as at corners junctions. In high wind areas a post may be placed between panels for additional strength.

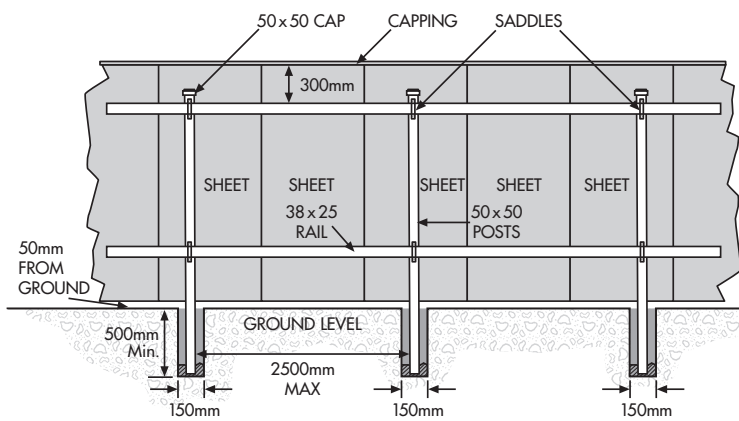
# Posts are recommended to be 500mm deep. However various soil types may require additional depth. Please check with local councils if unsure.

# Dominator Post and Rail Fencing

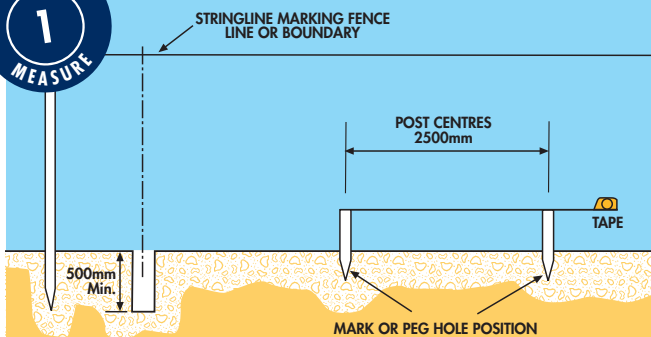
A cost effective, conventional favourite for many years, Post and Rail fencing is suitable for both level and sloping sites. With the strength of sturdy metal posts fixed to sheeting, Dominator Post and Rail Fencing is ideal for high wind areas. A number of different sheeting profiles are available, the more popular profiles being Corrugated and TL-5/M-Clad, both available in pre-painted in Colorbond® or Zinculume®. A traditional square capping complements this style of fencing, or Fielders rolled capping is a stylish alternative. Another option for a smart finish is powder coated posts and rails to complement the fence sheets.

## Components:

- 50 x 50 steel posts (approx 2.5m spacings)
- 50 x 50 Fence post cap
- 38 x 25 x 1.2 Steel rails (7500mm or 5000mm lengths)
- 15 x 10 x 16 Tek screws (approx)
- Rail saddles (2 per post)
- Rail joiners (1 per rail)
- Fencing sheets - 760mm coverage
- Fence capping - 2400mm lengths
- Screws 10 x16 - 12 per metre

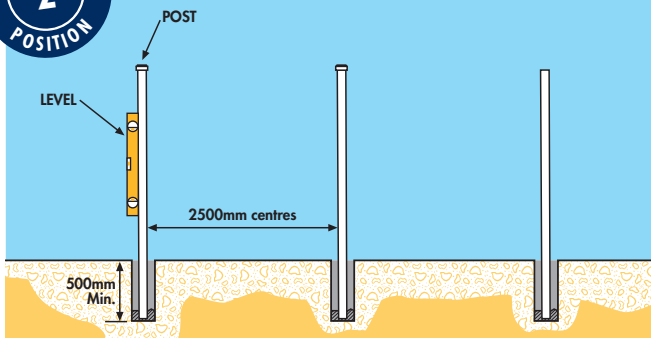


## STEP 1 MEASURE



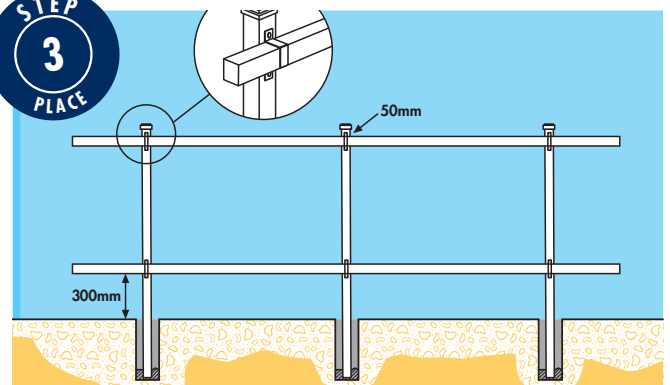
Using a stringline for alignment, locate and dig 150mm diameter holes at 2500mm centres. (For higher wind areas or added strength, posts can be at lesser intervals).

## STEP 2 POSITION



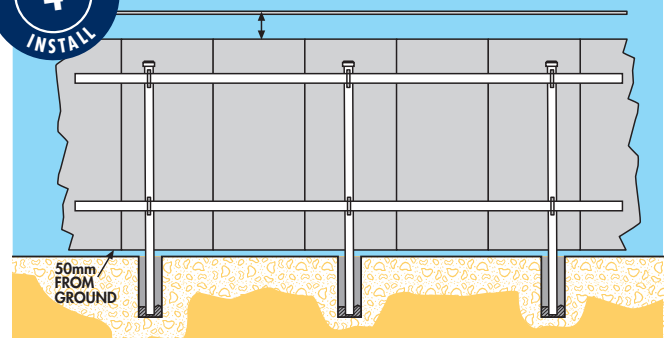
Position posts in holes and concrete ensuring all posts are vertical, and allow to cure. Fit post caps to posts.

## STEP 3 PLACE



Place top of top rail 50mm down from top of post and secure using saddles and tek screws as per diagram. Repeat with bottom rail, approx. 300mm from ground level.

## STEP 4 INSTALL



Secure sheeting into position with tek screws, ensuring 50mm clearance from ground level. 8 screws should be used per sheet. Place fence capping over top of sheets and secure with tek screws.



# Dominator Mini-Flute Fencing

Trendy Mini-Flute fencing is available in all Colorbond® colours with the stylish rolled capping to finish it off. Colours can be mixed and matched, to create a unique appearance for your fence.



## Fencing Colours/Equivalent Colours



COLORBOND®, BlueScope and ®colour names are registered trade marks of BlueScope Steel Limited. ™ colour names are trade marks of BlueScope Steel Limited. The COLORBOND® steel colour shown above are a guide only and not for colour accuracy. We recommend checking your chosen colour against the actual sample of the product before purchasing.

**For more information on Fielders Dominator Fencing range  
or display locations CALL NOW 1800 182 255**

Fencing styles not available in all states, ask your local Fielders representative for availability.



**FINISH ON TOP WITH FIELDERS**

**Phone Fielders First 1800 182 255 [www.fielders.com.au](http://www.fielders.com.au)**

ADELAIDE · MELBOURNE · SYDNEY · PERTH · BRISBANE · DARWIN