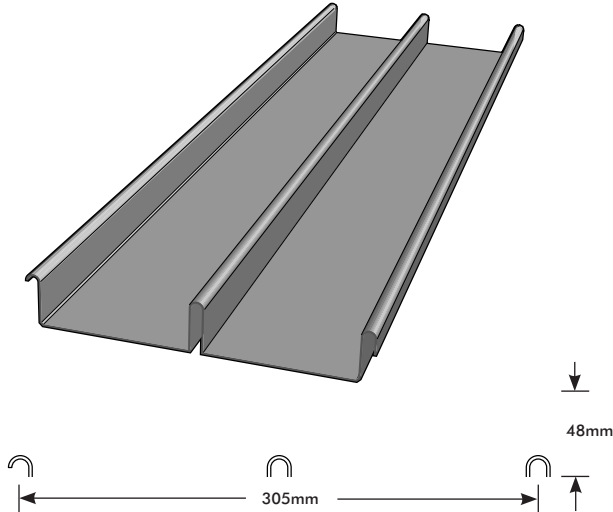


## 2.10 Shadowline™ 305



Shadowline™ 305 Material Specifications				
Property		0.55 BMT	0.70 BMT	Notes
Total Coated Thickness		0.60	0.75	TCT
Mass / Unit Length (kg/m)	ZINCALUME®	2.27	2.85	1000 / (m/Tonne)
	COLORBOND®	2.32	2.91	
Mass / Unit Area (kg/m <sup>2</sup> )	ZINCALUME®	7.43	9.36	1000 / (m Mass/profile width)
	COLORBOND®	7.62	9.53	
Minimum Yield Strength		G300		Base Steel Designation
Coating Class		AZ150		Minimum Coating g/m <sup>2</sup> of Zinc - Aluminium
Coverage (mm)		700		
Tolerance		Sheet Length ±10mm Cover Width ±5mm		
Thermal Expansion		2.9mm average per 5m at 50° C change		

Table 2.10.A Shadowline™ 305 Material Specifications

- Shadowline 305 is manufactured to AS 1397 and AS 2728 Cat. 3. It is to be installed in accordance with AS 1445, AS 1562, and HB39.

Fielders new Shadowline 305 is a two pan, low-pitched roof deck that can be used down to a minimum of one degree pitch as a concealed fix button punched deck (see figure 2.10.B) or as a pierced fix wall cladding. Fielders Shadowline 305 is available in all states of Australia.

When used as a wall cladding Fielders Shadowline 305 can be fixed both horizontally and vertically through each pan to each girt with a hexagon head self-drilling and tapping screw. The exact specification is subject to project requirements. An unobtrusive fixing option is the 'Irius' screw from Power Fasteners (contact you local Fielders representative for details).

Fielders Shadowline 305 can be rolled to any transportable length in ZINCALUME® with the full range of COLORBOND® colours in 0.55 BMT and 0.70 BMT gauge. The Shadowline profile can also be rolled at 0.70mm and 1.00mm in VM Zinc - a product unique to Fielders. VM Zinc is available in both the Anthra and Quartz finish.

Lead time for the Shadowline 305 profile is subject to the material finish and the colour availability. Smaller quantities are available as a stock item, subject to normal rolling schedules. For substantial quantities the lead time generally does not exceed two to three weeks. Contact your local Fielders office for further information.

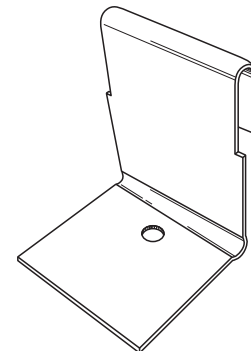


Figure 2.10.A Shadowline Clip

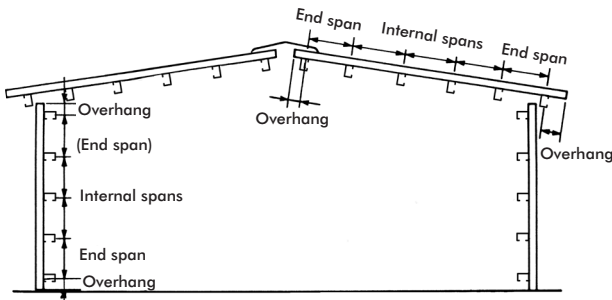


Figure 2.10.B End Spans, Internal Spans and Overhangs

Shadowline™ 305 Wind Load Capacity - Limit State Design (kPa) Non - Cyclonic - Pierced Fix												
Span (mm)	0.55 BMT						0.70 BMT					
	Single Span		End Span		Internal Span		Single Span		End Span		Internal Span	
	Service-ability	Strength	Service-ability	Strength	Service-ability	Strength	Service-ability	Strength	Service-ability	Strength	Service-ability	Strength
900			3.44	7.64					5.11	13.9		
1200			3.30	5.94	3.80	7.64			4.54	10.74	5.30	13.9
1500			2.86	4.57	2.95	5.94			4.35	8.23	4.37	10.74
1800			2.20	3.62	2.76	4.57			4.01	5.85	4.09	8.23
2100			2.04	3.32	2.24	3.62			3.43	4.22	3.86	5.85
2400			1.82	2.54	2.19	3.32			3.07	4.17	3.43	4.22
2700			1.40	1.87					2.47	3.55		
3000			1.38	1.71					2.22	3.31		
3300			1.26	1.65					1.86	2.74		
3900	0.41	1.97					0.60	2.06				
4200	0.37	1.80					0.57	1.94				
4400	0.35	1.65					0.53	1.74				

Table 2.10.B Shadowline™ 305 Wind Load Capacity - Limit State Design (kPa) - Non Cyclonic

Maximum Recommended Span* (mm) Shadowline™ Non Cyclonic				
Span Type	0.55 BMT		0.70 BMT	
	Roof	Wall	Roof	Wall
Single Span	1800	1800	2200	2100
End Span	1800	1800	2200	2100
Internal Span	2000	2200	2500	2800
Unstiffened Overhang	300		300	
Stiffened Overhang	800		1100	

Table 2.10.C Spanform® WA Maximum Recommended Span - Non Cyclonic

### Turning of Roof Sheeting Ends

Refer to section 4.8 "Flashings, Cappings & Ends of Sheets".