

3.5 Cappings

Available Materials			
Material / Finish	Conforming to	BMT (mm)	Colour
ZINCALUME® Steel	AS 1397 G300 - AZ150	0.50	
COLORBOND® Steel	AS 1397 G300 - AZ150 and AS 2728	0.50	As Selected
COLORBOND® Ultra Steel	AS 1397 G300 - AZ200 and AS 2728	0.55	As Selected
COLORBOND® Stainless Steel	Grade 430 base 300	0.45	As Selected
Heritage Galvanised	AS 1397 G300 - Z600	0.50	
Colorcoat HPS200: ZA255 Galvalloy Substrate (95% zinc & 5% aluminium)	BS EN 10326, G220 tensile strength	0.50	As Selected

Table 3.5.A Cappings Materials

Note: Dimensions on the following diagrams apply to SA only. Please check with your local Fielders representative for state specific dimensions.

350mm Roll Top Ridge Cap

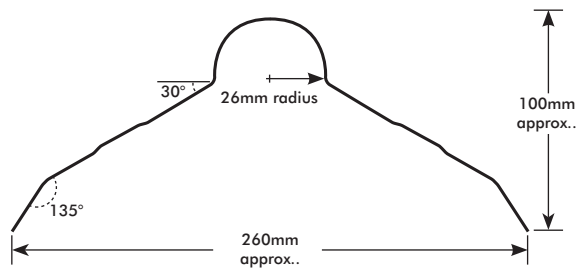
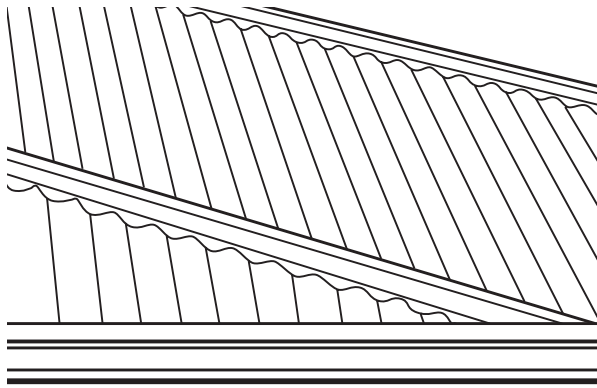


Figure 3.5.A 350mm Roll Top Ridge Capping*

Low Profile Ridge

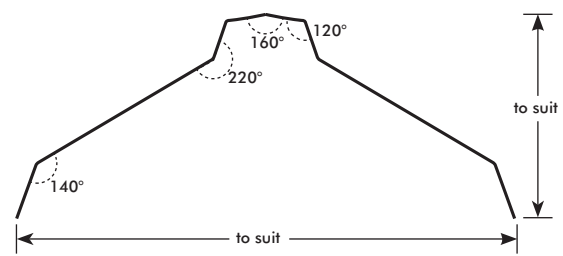
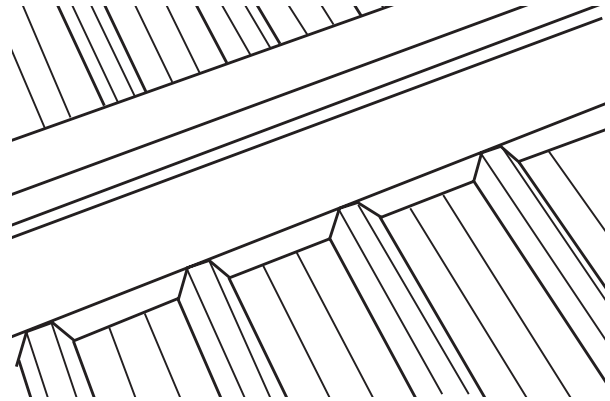


Figure 3.5.B Low Profile Ridge Capping

* Also available in ZINCALUME® and COLORBOND® 0.42 BMT G550

Barge Capping

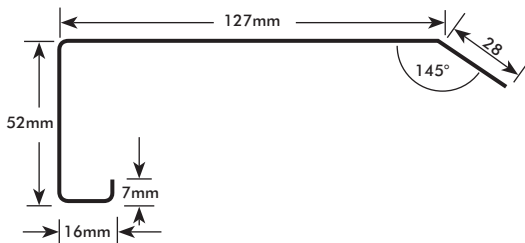
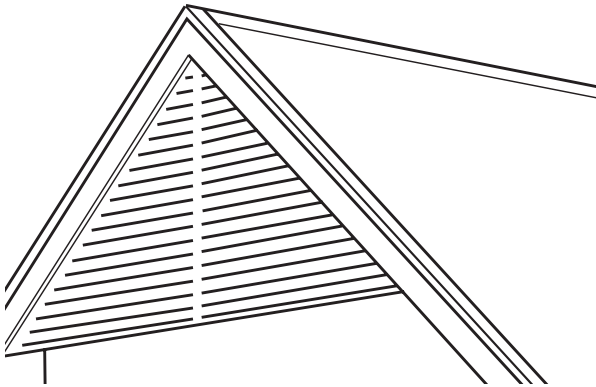


Figure 3.5.C Barge Capping

Edge Roll

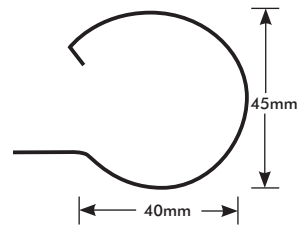
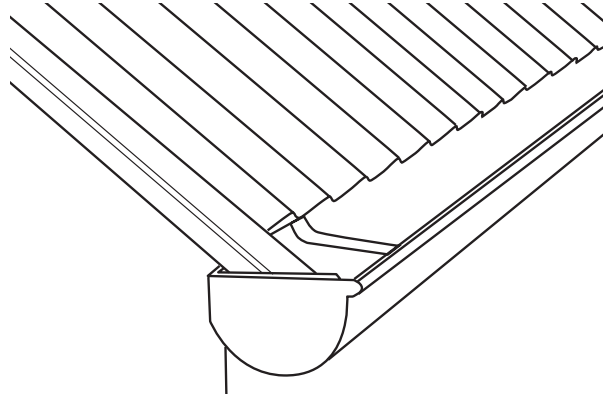


Figure 3.5.E Edge Roll

Barge Roll

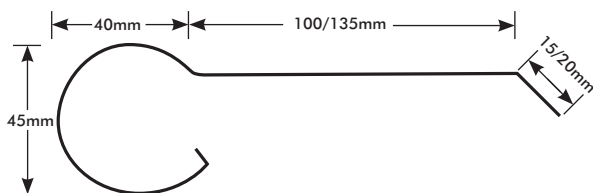
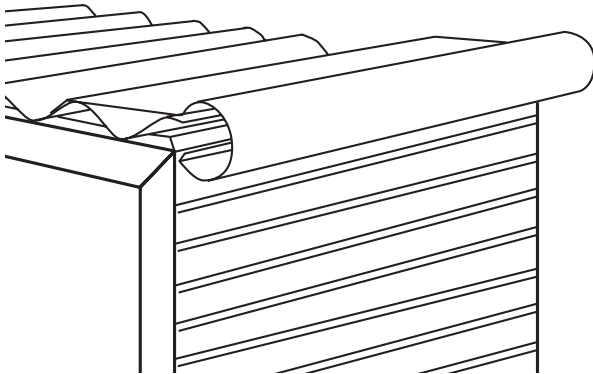


Figure 3.5.D Barge Roll

Barge Roll Caps

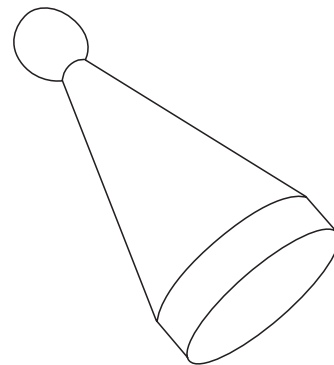


Figure 3.5.F Madonna Cap

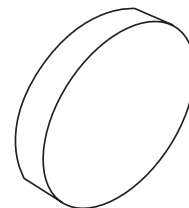


Figure 3.5.G Dome Cap

Note: Dimensions on these diagrams apply to SA only. Please check with your local Fielders representative for state specific dimensions.